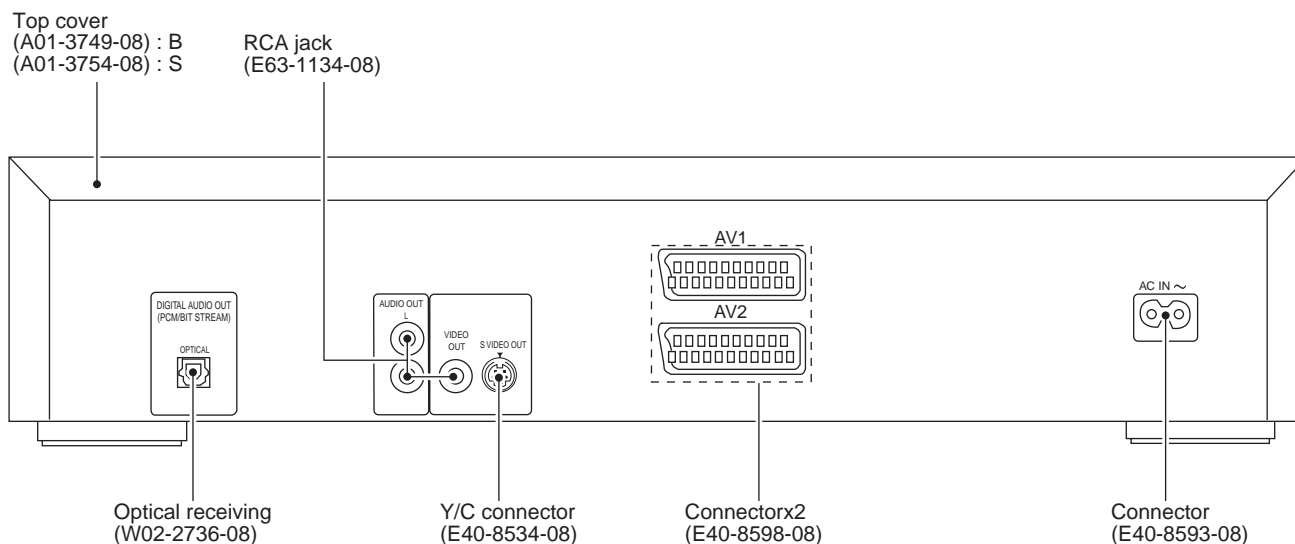
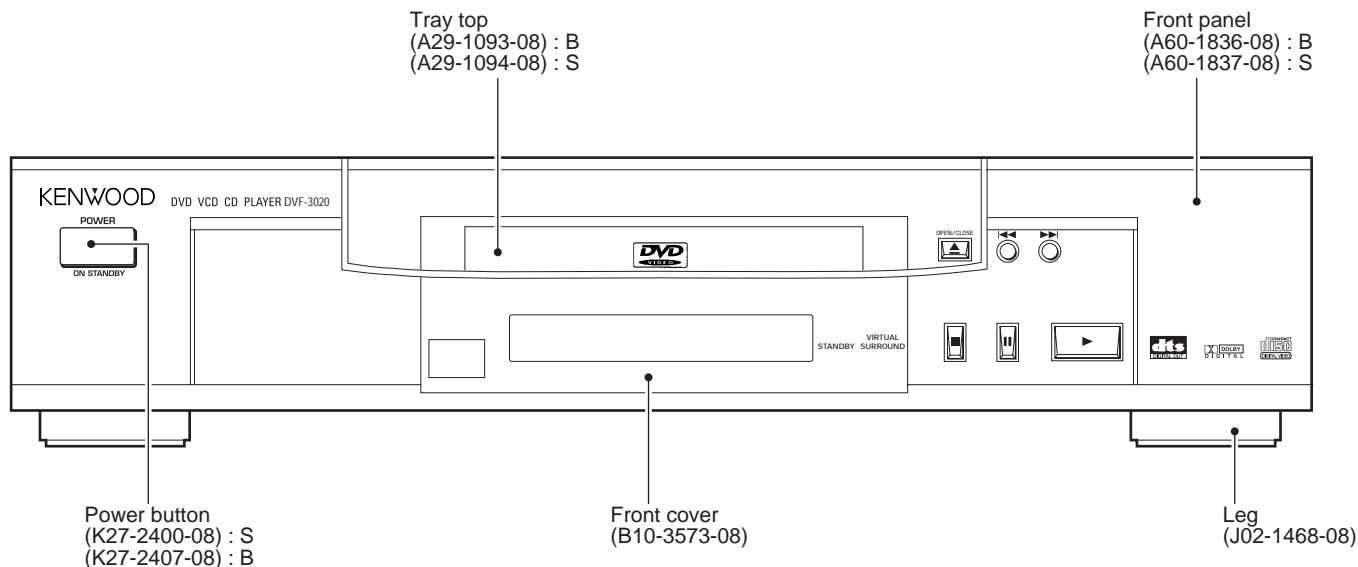


# DVF-3020

## SERVICE MANUAL



**B: Black S: Silver**

In compliance with Federal Regulations, following are reproductions of labels on, or inside the product relating to laser product safety.

**Caution :** No connection of ground line if disassemble the unit. Please connect the ground line on rear panel, PCBs, Chassis and some others.

KENWOOD-Crop. certifies this equipment conforms to DHHS Regulations No. 21 DFR 1040. 10, Chapter 1, Subchapter J.

**DANGER : Laser radiation when open and interlock defeated.**  
**AVOID DIRECT EXPOSURE TO BEAM**



# DVF-3020

## CONTENTS / ACCESSORIES

### Contents

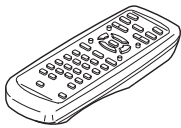
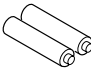
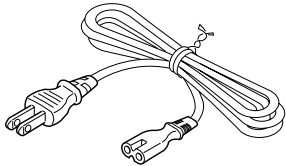
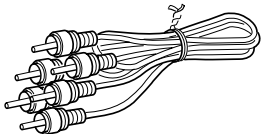
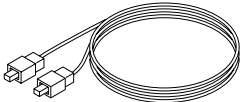
CONTENTS / ACCESSORIES .....	2	PC BOARD .....	16
BLOCK DIAGRAM .....	3	SCHEMATIC DIAGRAM .....	21
ADJUSTMENT .....	7	EXPLODED VIEW .....	51
ABBREVIATION.....	8	PARTS LIST.....	54
VOLTAGE CHART .....	10	SPECIFICATIONS .....	Back cover
WIRING DIAGRAM.....	15		

**Note:** There is different part in this manual as compared with a usual one because we use OEM factory's data.

Refer to DVF-5020 service manual (B51-5580-00) on Disassembly for Repair and Circuit Description.

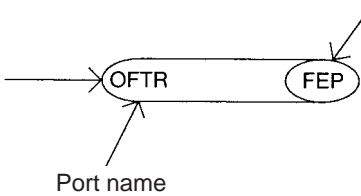
KENWOOD MODEL	OEM MODEL
DVF-3020	DVD-A160 series

### Accessories

<p><b>Remote control unit</b> ..... 1 (A70-1353-08)</p> 	<p><b>Batteries</b>..... 2 for remote control unit [size "AA"]</p> 	<p><b>AC cord</b>..... 1 (E30-2946-08)</p> 
<p><b>Video/audio cable</b>..... 1 (E30-2938-08)</p> 	<p><b>Optical cable</b>..... 1 (B19-1615-08)</p> 	

### How to read the schematic diagram

Connection of "from" or "to".



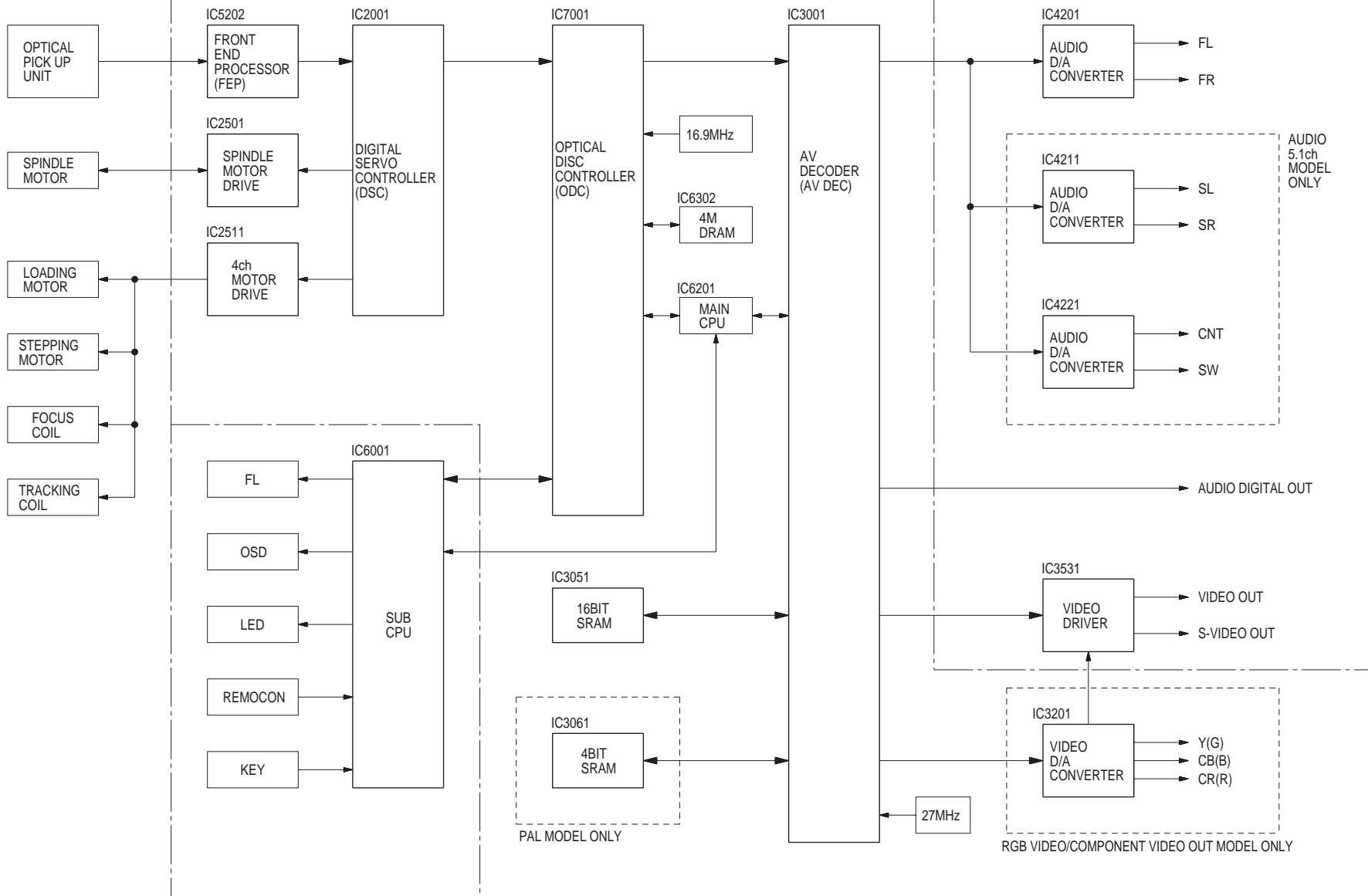
Port name

- There are some destinations in this schematic.

MECHANISM UNIT

MODULE C.B.A.

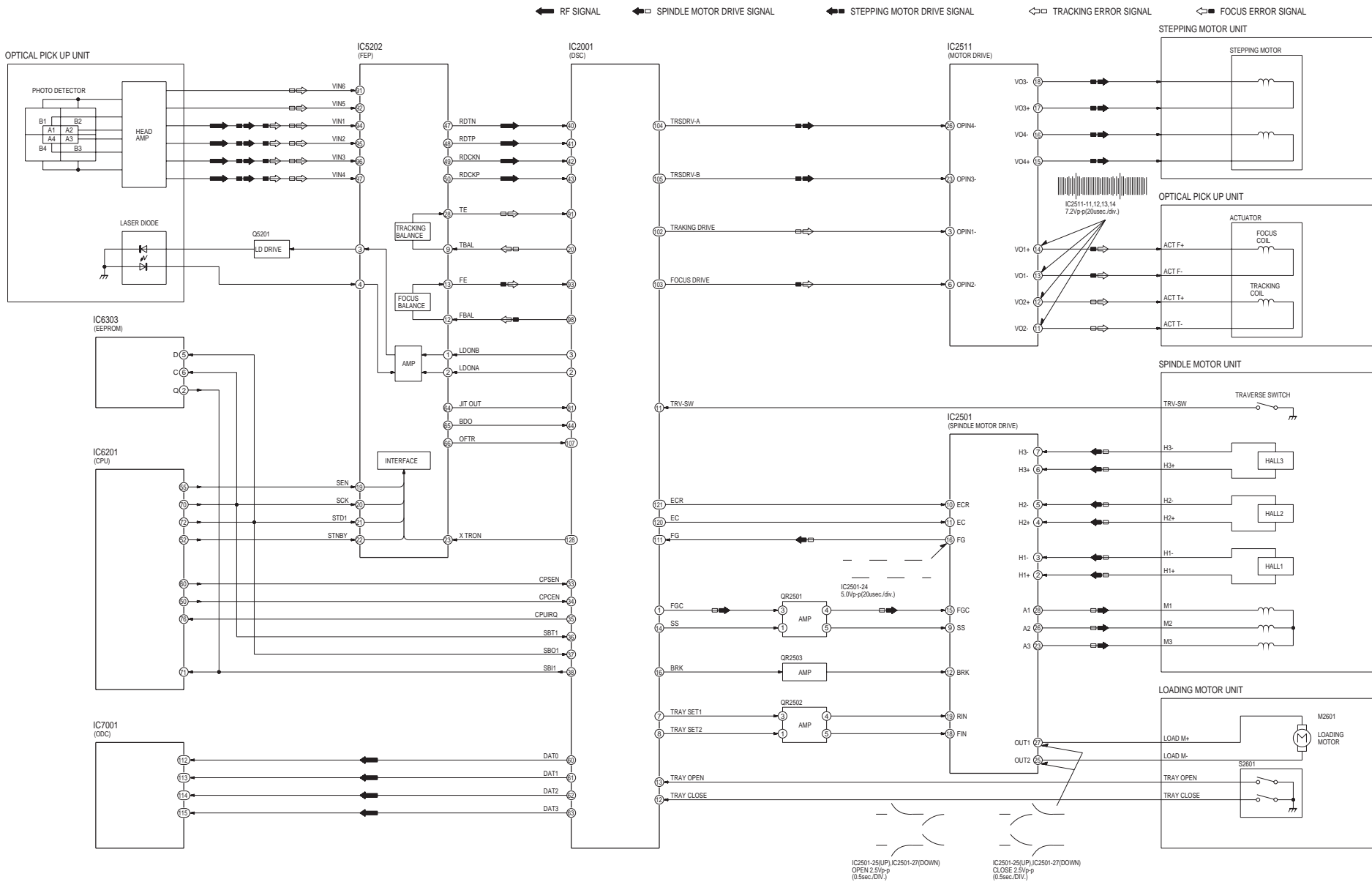
MOTHER C.B.A.

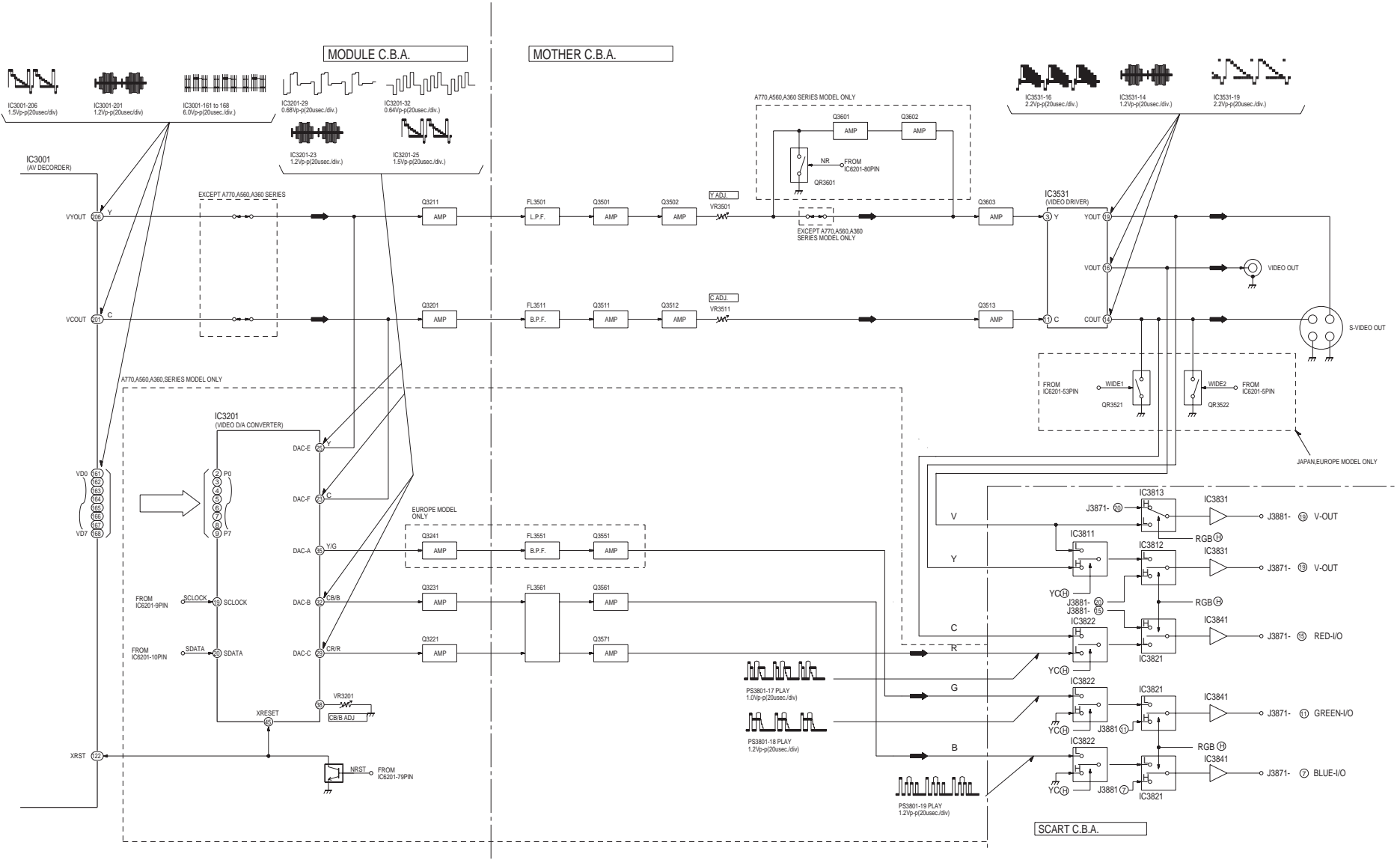


OVERALL BLOCK DIAGRAM

DVF-3020

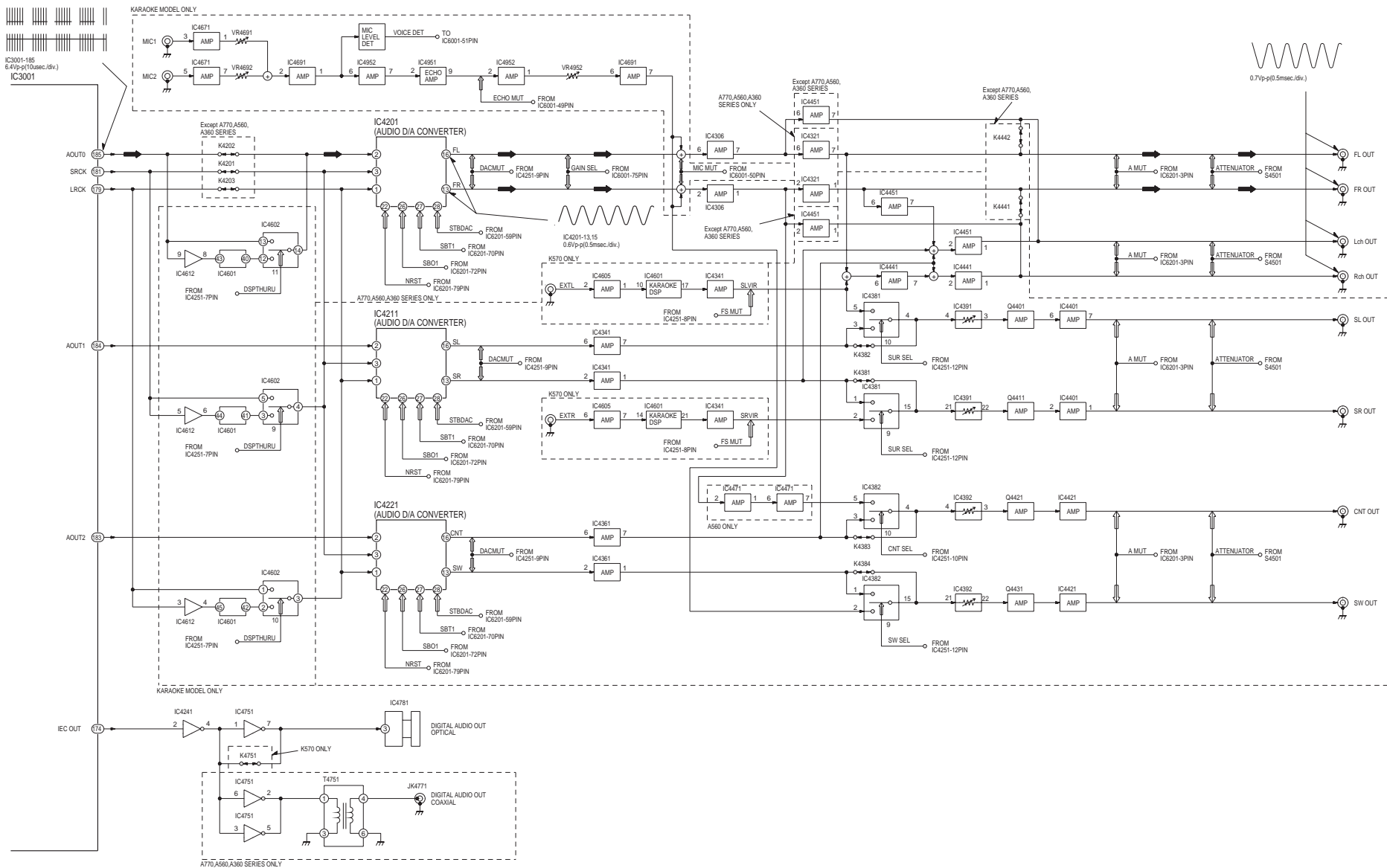
SERVO BLOCK DIAGRAM





VIDEO BLOCK DIAGRAM

DVF-3020



## ADJUSTMENT

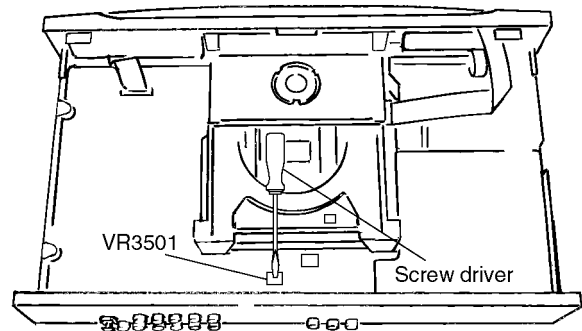
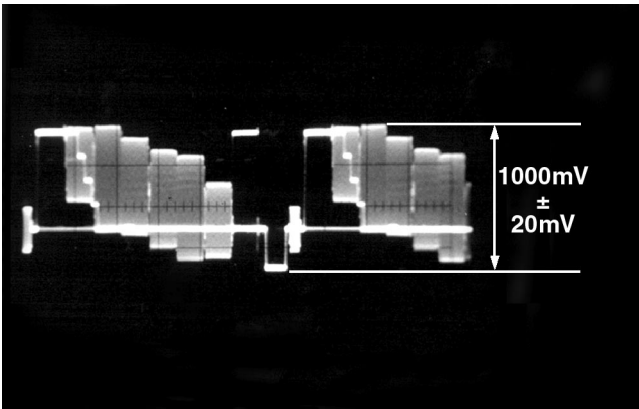
### 1. Video Output (Luminance Signal) Adjustment

Do this adjustment after replacing a C.B.A.

Measurement point	Adjustment point	Mode	Disc
Video output terminal	VR3501 (mother C.B.A.)	Color bar 75%	DVD disc (Color bar 75%)
Measuring equipment, tools		Adjustment value	
Screwdriver, Oscilloscope 200mV/div, 10msec/div		1000mVp-p±20mV	

Purpose: To maintain video signal output compatibility.

1. Connect the oscilloscope to the video output terminal and terminate at 75 ohms.
2. Adjust VR3501 so that the luminance signal (Y+S) level becomes 1000 mVp-p±20 mV.



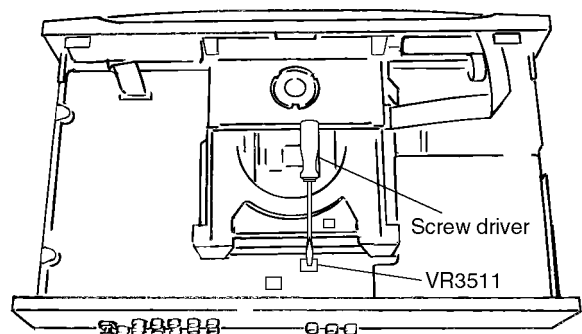
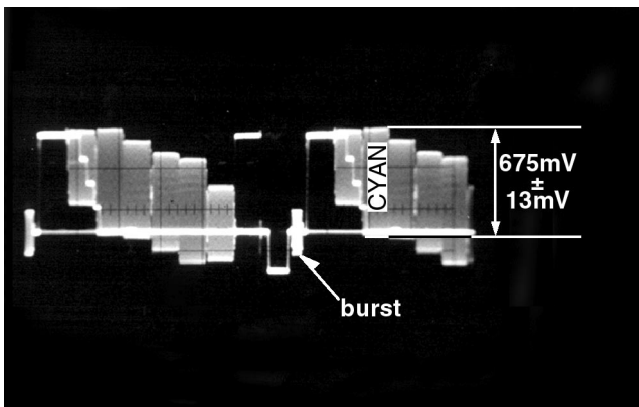
### 2. Video Output (Chrominance Signal) Adjustment

Do this adjustment after replacing a C.B.A.

Measurement point	Adjustment point	Mode	Disc
Video output terminal	VR3511 (mother C.B.A.)	Color bar 75%	DVD disc (Color bar 75%)
Measuring equipment, tools		Adjustment value	
Screwdriver, Oscilloscope 200mV/div, 10msec/div		675mVp-p±13mV	

Purpose: To maintain video signal output compatibility.

1. Connect the oscilloscope to the video output terminal and terminate at 75 ohms.
2. Adjust VR3511 so that the chrominance signal (C) level becomes 675 mVp-p±13 mV.



## ABBREVIATION

### 3. Abbreviations

INITIAL/LOGO	ABBREVIATIONS
A	A0~UP ADDRESS
	ACLK AUDIO CLOCK
	AD0~UP ADDRESS BUS
	ADATA AUDIO PES PACKET DATA
	ALE ADDRESS LATCH ENABLE
	AMUTE AUDIO MUTE
	AREQ AUDIO PES PACKET REQUEST
	ARF AUDIO RF
	ASI SERVO AMP INVERTED INPUT
	ASO SERVO AMP OUTPUT
ASYNC AUDIO WORD DISTINCTION SYNC	
B	BCK BIT CLOCK (PCM)
	BCKIN BIT CLOCK INPUT
	BDO BLACK DROP OUT
	BLKCK SUB CODE BLOCK CLOCK
	BOTTOM CAP. FOR BOTTOM HOLD
	BYP BYPATH
	BYTCK BYTE CLOCK
C	CAV CONSTANT ANGULAR VELOCITY
	CBDO CAP. BLACK DROP OUT
	CD COMPACT DISC
	CDSCK CD SERIAL DATA CLOCK
	CDSRDATA CD SERIAL DATA
	CDRF CD RF (EFM) SIGNAL
	CDV COMPACT DISC-VIDEO
	CHNDATA CHANNEL DATA
	CKSL SYSTEM CLOCK SELECT
	CLV CONSTANT LINEAR VELOCITY
	COFTR CAP. OFF TRACK
	CPA CPU ADDRESS
	CPCS CPU CHIP SELECT
	CPDT CPU DATA
	CPUADR CPU ADDRESS LATCH
	CPUADT CPU ADDRESS DATA BUS
	CPUIRQ CPU INTERRUPT REQUEST
	CPRD CPU READ ENABLE
	CPWR CPU WRITE ENABLE
	CS CHIP SELECT
	CSYNIN COMPOSITE SYNC IN
	CSYNOUT COMPOSITE SYNC OUT
	D
DEEMP DEEMPHASIS BIT ON/OFF	
DEMPH DEEMPHASIS SWITCHING	
DIG0~UP FL DIGIT OUTPUT	
DIN DATA INPUT	
DMSRCK DM SERIAL DATA READ CLOCK	
DMUTE DIGITAL MUTE CONTROL	
DO DROP OUT	
DOUT0~UP DATA OUTPUT	
DRF DATA SLICE RF (BIAS)	

INITIAL/LOGO	ABBREVIATIONS
D	DRPOUT DROP OUT SIGNAL
	DREQ DATA REQUEST
	DRESP DATA RESPONSE
	DSC DIGITAL SERVO CONTROLLER
	DSLDF DATA SLICE LOOP FILTER
	DVD DIGITAL VIDEO DISC
E	EC ERROR TORQUE CONTROL
	ECR ERROR TORQUE CONTROL REFERENCE
	ENCSEL ENCODER SELECT
	ETMCLK EXTERNAL M CLOCK (81MHz/40.5MHz)
ETSCLK EXTERNAL S CLOCK (54MHz)	
F	FBAL FOCUS BALANCE
	FCLK FRAME CLOCK
	FE FOCUS ERROR
	FFI FOCUS ERROR AMP INVERTED INPUT
	FEO FOCUS ERROR AMP OUTPUT
	FG FREQUENCY GENERATOR
	FSC FREQUENCY SUB CARRIER
	FSCK FS (384 OVER SAMPLING) CLOCK
G	GND COMMON GROUNDING (EARTH)
H	HA0~UP HOST ADDRESS
	HD0~UP HOST DATA
	HINT HOST INTERRUPT
	HRXW HOST READ/WRITE
I	IECOUT IEC958 FORMAT DATA OUTPUT
	IPFRAG INTERPOLATION FLAG
	IREF I (CURRENT) REFERENCE
	ISEL INTERFACE MODE SELECT
L	LDON LASER DIODE CONTROL
	LPC LASER POWER CONTROL
	LRCK L CH/R CH DISTINCTION CLOCK
M	MA0~UP MEMORY ADDRESS
	MCK MEMORY CLOCK
	MCKI MEMORY CLOCK INPUT
	MCLK MEMORY SERIAL COMMAND CLOCK
	MDATA MEMORY SERIAL COMMAND DATA
	MDQ0~UP MEMORY DATA INPUT/OUTPUT
	MDQM MEMORY DATA I/O MASK
	MLD MEMORY SERIAL COMMAND LOAD
MPEG MOVING PICTURE EXPERTS GROUP	
O	ODC OPTICAL DISC CONTROLLER
	OFTR OFF TRACKING
	OSCI OSCILLATOR INPUT
	OSCO OSCILLATOR OUTPUT
	OSD ON SCREEN DISPLAY



## ABBREVIATION

INITIAL/LOGO	ABBREVIATIONS	
P	P1~UP	PORT
	PCD	CD TRACKING PHASE DIFFERENCE
	PCK	PLL CLOCK
	PDVD	DVD TRACKING PHASE DIFFERENCE
	PEAK	CAP. FOR PEAK HOLD
	PLLCLK	CHANNEL PLL CLOCK
	PLLOK	PLL LOCK
	PWMCTL	PWM OUTPUT CONTROL
	PWMDA	PULSE WAVE MOTOR DRIVE A
	PWMOA, B"	PULSE WAVE MOTOR OUT A, B"
	RE	READ ENABLE
	RFENV	RF ENVELOPE
	RFO	RF PHASE DIFFERENCE OUTPUT
	RS	(CD-ROM) REGISTER SELECT
	RSEL	RF POLARITY SELECT
	RST	RESET
	RSV	RESERVE
	S	SBI0, 1
SBO0		SERIAL DATA OUTPUT
SBT0, 1		SERIAL CLOCK
SCK		SERIAL DATA CLOCK
SCKR		AUDIO SERIAL CLOCK RECEIVER
SCL		SERIAL CLOCK
SCLK		SERIAL CLOCK
SDA		SERIAL DATA
SEG0~UP		FL SEGMENT OUTPUT
SELCLK		SELECT CLOCK
SEN		SERIAL PORT ENABLE
SIN1, 2		SERIAL DATA IN
SOUT1, 2		SERIAL DATA OUT
SPDI		SERIAL PORT DATA INPUT
SPDO		SERIAL PORT DATA OUTPUT
SPEN		SERIAL PORT R/W ENABLE
SPRCLK		SERIAL PORT READ CLOCK
SPWCLK		SERIAL PORT WRITE CLOCK
SQCK		SUB CODE Q CLOCK
SQCX		SUB CODE Q DATA READ CLOCK
SRDATA		SERIAL DATA
SRMADR		SRAM ADDRESS BUS
SRMDT0~7		SRAM DATA BUS 0~7
SS		START/STOP
STAT		STATUS
STCLK		STREAM DATA CLOCK
STD0~UP		STREAM DATA
STENABLE		STREAM DATA INPUT ENABLE
STSEL		STREAM DATA POLARITY SELECT
STVALID		STREAM DATA VALIDITY
SUBC		SUB CODE SERIAL
SBCK		SUB CODE CLOCK
SUBQ	SUB CODE Q DATA	
SYSCLK	SYSTEM CLOC	

INITIAL/LOGO	ABBREVIATIONS		
T	TE	TRACKING ERROR	
	TIBAL	BALANCE CONTROL	
	TID	BALANCE OUTPUT 1	
	TIN	BALANCE INPUT	
	TIP	BALANCE INPUT	
	TIS	BALANCE OUTPUT 2	
	TPSN	OP AMP INPUT	
	TPSO	OP AMP OUTPUT	
	TPSP	OP AMP INVERTED INPUT	
	TRCRS	TRACK CROSS SIGNAL	
TRON	TRACKING ON		
	TRAVERSE SERVO ON		
V	VBLANK	V BLANKING	
	VCC	COLLECTOR POWER SUPPLY VOLTAGE	
	VCDCONT	VIDEO CD CONTROL (TRACKING BALANCE)	
	VDD	DRAIN POWER SUPPLY VOLTAGE	
	VFB	VIDEO FEED BACK	
	VREF	VOLTAGE REFERENCE	
	VSS	SOURCE POWER SUPPLY VOLTAGE	
	W	WAIT	BUS CYCLE WAIT
		WDCK	WORD CLOCK
		WEH	WRITE ENABLE HIGH
WSR		WORD SELECT RECEIVER	
X	X	X'TAL	
	XALE	X ADDRESS LATCH ENABLE	
	XAREQ	X AUDIO DATA REQUEST	
	XCDROM	X CD ROM CHIP SELECT	
	XCS	X CHIP SELECT	
	XCSYNC	X COMPOSITE SYNC	
	XDS	X DATA STROBE	
	XHSYNCO	X HORIZONTAL SYNC OUTPUT	
	XHINT	XH INTERRUPT REQUEST	
	XI	X'TAL OSCILLATOR INPUT	
	XINT	X INTERRUPT	
	XMW	X MEMORY WRITE ENABLE	
	XO	X'TAL OSCILLATOR OUTPUT	
	XRE	X READ ENABLE	
	XSRMCE	X SRAM CHIP ENABLE	
	XSRMOE	X SRAM OUTPUT ENABLE	
XSRMWE	X SRAM WRITE ENABLE		
XVCS	X V-DEC CHIP SELECT		
XVDS	X V-DEC CONTROL BUS STROBE		
XVSYNCO	X VERTICAL SYNC OUTPUT		

# DVF-3020

## VOLTAGE CHART

### 4. VOLTAGE CHART

#### 4-1 POWER SUPPLY C.B.A.

##### IC

###### IC1021

	①	②	③	④	⑤	⑥	⑦
STOP	-26.0	0	0	0	17.0	0.5	0.2
PLAY	-26.0	0	0	0	17.0	0.5	0.2

###### IC1101

	A	K	R
STOP	0	3.9	2.5
PLAY	0	3.9	2.5

###### IC1121

	①	②	③	④
STOP	5.1	3.3	0	3.4
PLAY	5.1	3.3	0	3.4

###### IC1151

	①	②	③	④	⑤
STOP	0	3.4	8.9	8.9	12.5
PLAY	0	3.4	8.9	8.9	12.5

##### TRANSISTOR

###### Q1041

	①	②	③	④
STOP	5.2	4.1	0.5	16.6
PLAY	5.2	4.1	0.5	16.6

###### Q1111

	S	D	G
STOP	5.1	5.1	0
PLAY	5.1	5.1	0

##### TRANSISTOR & RESISTOR

###### QR1111

	E	C	B
STOP	0	0	3.4
PLAY	0	0	3.4

#### 4-2 MODULE C.B.A.

##### IC

###### IC2001

	①	②	③	④	⑤	⑥	⑦	⑧	⑨	⑩	⑪	⑫	⑬	⑭	⑮	⑯	⑰	⑱	⑲	⑳	㉑	㉒	㉓	㉔	㉕	㉖	㉗	㉘	㉙	㉚		
STOP	3.1	0	0	0	3.1	0	3.1	3.1	0	3.1	3.1	0	0.1	0.1	0	3.1	0	0.1	0.1	1.6	1.6	0.1	1.6	1.6	1.6	1.6	1.6	0	3.1	0	1.6	
PLAY	3.1	0	0	0	3.1	0	3.1	3.1	0	3.1	3.1	0	3.1	0	3.1	0	0	3.1	1.5	1.8	1.5	1.8	1.5	1.5	1.5	1.5	0	3.1	0	1.6		
	㉛	㉜	㉝	㉞	㉟	㊱	㊲	㊳	㊴	㊵	㊶	㊷	㊸	㊹	㊺	㊻	㊼	㊽	㊾	㊿	①	②	③	④	⑤	⑥	⑦	⑧	⑨	⑩		
STOP	0.1	0.9	0	3.1	0	0	0	0	0	0	1.6	0	0	0.2	0	0	0	0	0	0	0	0	0	0	0	0	0	0	0	0	1.5	
PLAY	0	0	3.1	3.1	3.0	0	0	0	0	0	1.6	1.5	0	0.2	0	0	0	0	0	0	0	0	0	3.1	0	0	0	0	0	0	0	1.5
	⑪	⑫	⑬	⑭	⑮	⑯	⑰	⑱	⑲	⑳	㉑	㉒	㉓	㉔	㉕	㉖	㉗	㉘	㉙	㉚	㉛	㉜	㉝	㉞	㉟	①	②	③	④	⑤		
STOP	0.2	1.5	0.2	0.2	0	0	0	0	3.1	3.1	1.5	0	0	3.1	0	0	1.4	0	0	0	1.3	0	0	0	1.4	0	1.4	0	1.4	0.6		
PLAY	0	0.1	1.5	1.5	0	0	0	0	3.1	3.1	1.4	0.1	0	3.1	0.1	0.5	0.1	2.1	3.1	0.1	1.1	1.4	0.1	0.1	1.4	1.3	2.1	1.4	0.6			
	⑪	⑫	⑬	⑭	⑮	⑯	⑰	⑱	⑲	⑳	㉑	㉒	㉓	㉔	㉕	㉖	㉗	㉘	㉙	㉚	㉛	㉜	㉝	㉞	㉟	①	②	③	④	⑤		
STOP	1.4	1.4	1.4	1.4	0	0	3.1	0.1	0.1	1.6	0.1	1.4	1.4	1.4	1.4	3.1	0.1	0.1	0.1	1.5	0.1	0	0	3.1	0.1	0	0.1	1.4	0	1.6		
PLAY	1.4	1.4	1.4	1.2	1.2	0	3.1	1.5	1.9	1.6	1.4	1.3	1.4	1.6	0.3	3.1	0.2	1.4	0.2	0.2	1.4	0	0	3.1	2.3	0	1.2	1.4	0	1.5		
	⑪	⑫	⑬	⑭	⑮	⑯	⑰	⑱	⑲	⑳	㉑	㉒	㉓	㉔	㉕	㉖	㉗	㉘	㉙	㉚	㉛	㉜	㉝	㉞	㉟	①	②	③	④	⑤		
STOP	0.1	0	0.1	0.4	0.1	0.1	0	3.1																								
PLAY	1.6	0	0	0.6	0	0	0	0																								

###### IC2501

	①	②	③	④	⑤	⑥	⑦	⑧	⑨	⑩	⑪	⑫	⑬	⑭	⑮	⑯	⑰	⑱	⑲	⑳	㉑	㉒	㉓	㉔	㉕	㉖	㉗	㉘	㉙	㉚
STOP	0	2.2	5.0	5.0	5.0	5.0	5.0	5.0	0	2.1	2.1	0	5.0	0	2.2	2.2	0.6	0.1	0	0	8.9	8.9	2.2	2.2	2.2	2.2	2.3	2.1	0	0
PLAY	0.3	2.9	2.9	0.3	2.9	2.9	2.9	0.8	3.5	2.1	2.1	0	4.9	0	0	0.3	0.6	0	0.3	0.3	8.8	8.8	7.2	0.3	0	7.2	0	7.2	0	0

###### IC2511

	①	②	③	④	⑤	⑥	⑦	⑧	⑨	⑩	⑪	⑫	⑬	⑭	⑮	⑯	⑰	⑱	⑲	⑳	㉑	㉒	㉓	㉔	㉕	㉖	㉗	㉘	㉙	㉚
STOP	0.1	1.4	1.4	1.4	0.1	0.1	1.4	0	2.4	4.9	0.1	0.1	0.1	0.4	5.8	2.2	5.8	2.3	8.9	2.4	0	1.4	1.4	1.4	1.4	1.4	1.4	8.9	0	0
PLAY	1.4	0.8	1.4	1.5	1.3	1.3	0.7	0	3.1	4.9	2.5	2.5	0.5	2.7	3.2	5.1	3.2	1.2	8.8	3.1	0	1.2	1.4	1.4	1.4	1.2	1.4	8.8	0	0





## VOLTAGE CHART

### TRANSISTOR & RESISTOR

QR2501

	①	②	③	④	⑤
STOP	3.1	0.2	0.2	0	0
PLAY	0	0	3.1	0	3.5

QR2502

	①	②	③	④	⑤
STOP	3.1	0	0.2	0	0
PLAY	3.1	0	3.1	0	0

QR2503

	E	C	B
STOP	0	0	0.2
PLAY	0	1.5	3.1

QR5201

	E	C	B
STOP	0	1.7	0.3
PLAY	0	1.4	0

QR5202

	E	C	B
STOP	0	1.3	0
PLAY	0	1.3	0.1

QR6311

	E	C	B
STOP	0	3.1	0
PLAY	0	3.1	1.1

### 4-3 MOTHER C.B.A.

### IC

IC3531

	①	②	③	④	⑤	⑥	⑦	⑧	⑨	⑩	⑪	⑫	⑬	⑭	⑮	⑯	⑰	⑱	⑲	⑳	㉑	㉒
STOP	2.4	0	2.3	4.9	2.3	4.9	2.3	4.9	2.0	0	1.9	2.0	0	2.4	4.9	2.0	1.5	0	0	1.6	0	0
PLAY	2.4	0	2.4	4.9	2.2	4.9	2.2	4.9	1.9	0	1.9	1.9	0	2.4	4.9	2.4	1.6	0	2.4	1.8	0	0

IC4201

	①	②	③	④	⑤	⑥	⑦	⑧	⑨	⑩	⑪	⑫	⑬	⑭	⑮	⑯	⑰	⑱	⑲	⑳	㉑	㉒	㉓	㉔	㉕	㉖	㉗	㉘
STOP	1.6	0	1.5	1.8	1.4	4.6	0	4.8	4.8	0	2.4	2.5	2.4	0	4.8	2.4	2.5	2.4	0	4.8	0.2	4.8	0	4.8	4.8	5.0	5.0	5.0
PLAY	1.6	1.1	1.5	1.8	1.4	4.5	0	4.8	4.8	0	2.4	2.7	2.4	0	4.8	2.4	2.7	2.4	0	4.8	5.0	4.8	0	4.8	4.8	5.0	5.0	5.0

IC4251

	①	②	③	④	⑤	⑥	⑦	⑧	⑨	⑩	⑪	⑫	⑬	⑭	⑮	⑯	⑰	⑱
STOP	0	5.0	5.0	5.0	0	0	0	0	2.9	0	0	0	0	0	0	0	0	5.0
PLAY	0	5.0	5.0	5.0	0	0	0	0	2.9	0	0	0	0	0	0	0	0	5.0

IC4266

	①	②	③	④	⑤	⑥	⑦	⑧	⑨	⑩	⑪	⑫	⑬	⑭
STOP	3.1	5.0	3.1	5.0	3.1	5.0	0	5.0	3.1	0	0	0	0	5.0
PLAY	3.1	5.0	3.1	5.0	3.1	5.0	0	5.0	3.1	0	0	0	0	5.0

IC4306

	①	②	③	④	⑤	⑥	⑦	⑧
STOP	0	0	0	-8.4	0	0	0	8.5
PLAY	0	0	0	-8.4	0	0	0	8.5

IC4461

	①	②	③	④	⑤	⑥	⑦	⑧
STOP	0	0.2	0	-8.9	0	0	0	9.0
PLAY	0.9	0.9	0	-8.9	0	0	0	9.0

IC4781

	①	②	③
STOP	0	2.5	5.0
PLAY	0	2.5	5.0

IC4901

	①	②	③	④	⑤
STOP	11.0	3.3	9.0	2.1	0
PLAY	11.0	3.3	9.0	2.2	0

IC6001

	①	②	③	④	⑤	⑥	⑦	⑧	⑨	⑩	⑪	⑫	⑬	⑭	⑮	⑯	⑰	⑱	⑲	⑳	㉑	㉒	㉓	㉔	㉕	㉖	㉗	㉘	㉙	㉚	㉛
STOP	5.1	5.1	5.1	5.1	2.5	2.4	0	2.5	2.7	0	0	0	5.1	5.1	-31.4	1.5	-18.0	-28.8	-28.8	-28.8	-16.2	-21.1	-21.4	2.2	2.2	2.4	2.4	-28.5	-28.4	2.4	
PLAY	5.1	2.9	5.1	5.1	2.5	2.4	0	2.6	2.7	0	0	0	5.1	5.1	-29.5	2.0	-10.1	-24.6	-21.7	-27.0	-17.5	-14.5	-21.8	2.8	2.9	-14.5	2.8	-24.3	-26.6	2.8	
	⑳	㉑	㉒	㉓	㉔	㉕	㉖	㉗	㉘	㉙	㉚	㉛	㉜	㉝	㉞	㉟	㊱	㊲	㊳	㊴	㊵	㊶	㊷	㊸	㊹	㊺	㊻	㊼	㊽	㊾	
STOP	2.4	-28.8	2.4	-28.8	-28.8	-28.8	-28.8	-28.7	-21.4	-21.8	2.4	-22.8	-23.0	1.6	1.5	3.7	2.5	5.1	0	2.6	2.6	2.5	2.6	0	5.1	5.1	0	5.1	5.1		
PLAY	2.9	3.0	-27.0	-27.0	-26.9	2.9	-26.9	-26.9	2.9	-19.8	-20.1	-20.2	-21.2	-21.3	2.1	2.1	3.6	2.5	5.1	0	3.1	2.8	3.1	2.9	0	5.1	5.1	0	5.1	5.1	
	㊿	㊿	㊿	㊿	㊿	㊿	㊿	㊿	㊿	㊿	㊿	㊿	㊿	㊿	㊿	㊿	㊿	㊿	㊿	㊿	㊿	㊿	㊿	㊿	㊿	㊿	㊿	㊿	㊿	㊿	
STOP	5.1	4.4	4.0	3.0	5.1	0	5.1	0	0	0	0	2.3	2.5	2.5	0	5.0	0	0	0.1	5.1	5.1	5.1	5.1	5.1							
PLAY	5.1	4.5	4.2	3.0	5.1	0	3.1	0	0	0	0	2.3	2.9	2.9	0	5.1	0	0	0.1	5.1	5.1	5.1	5.1	5.1							

IC6002

	①	②	③
STOP	5.1	0	5.1
PLAY	5.1	0	5.1

IC6003

	①	②	③
STOP	5.1	0	5.1
PLAY	5.1	0	5.1

IC6004

	①	②	③	④	⑤
STOP	2.7	2.7	0	4.4	5.1
PLAY	2.7	2.7	0	4.5	5.1

IC6005

	①	②	③	④	⑤
STOP	2.5	2.5	0	4.0	5.1
PLAY	2.5	2.5	0	4.0	5.1

### TRANSISTOR

Q3501

	E	C	B
STOP	1.7	0	1.0
PLAY	1.9	0	1.3

Q3502

	E	C	B
STOP	1.1	4.9	1.7
PLAY	1.3	4.9	1.9

Q3503

	E	C	B
STOP	1.7	0	1.0
PLAY	1.9	0	1.2

Q3511

	E	C	B
STOP	3.1	0	2.5
PLAY	3.1	0	2.5

Q3512

	E	C	B
STOP	2.5	4.9	3.1
PLAY	2.5	4.9	3.1

# DVF-3020

## VOLTAGE CHART

Q3513

	(E)	(C)	(B)
STOP	1.8	0	1.2
PLAY	1.8	0	1.2

Q3603

	(E)	(C)	(B)
STOP	3.2	0	2.5
PLAY	3.2	0	2.5

Q4501

	(E)	(C)	(B)
STOP	0	0	0.7
PLAY	0	0	-4.9

Q4511

	(E)	(C)	(B)
STOP	0	0	0.7
PLAY	0	0	-4.9

### 4-4 SCART C.B.A.

#### IC

Ref No.	IC3801						IC3811									
MODE	1	2	3	1	2	3	4	5	6	7	8					
STOP	0	-12.4	-5.0	0	0	-5.0	0	0	0	0	5.1					
PLAY	0	-12.7	-5.0	0	0	-5.0	0	0	0	0	5.1					
Ref No.	IC3812															
MODE	1	2	3	4	5	6	7	8	9	10	11	12	13	14	15	16
STOP	0	0	0	0	0	0	-5.0	0	0	0	0	0	0	0	0	5.1
PLAY	0	0	0	0	0	0	-5.0	0	0	0	0	0	0	0	0	5.1
Ref No.	IC3813															
MODE	1	2	3	4	5	6	7	8	9	10	11	12	13	14	15	16
STOP	0	0	0	0	0	0	-5.0	0	0	0	0	0	0	0	0	5.0
PLAY	0	0	0	0	0	0	-5.0	0	0	0	0	0	0	0	0	5.0
Ref No.	IC3821															
MODE	1	2	3	4	5	6	7	8	9	10	11	12	13	14	15	16
STOP	0	0	0	0	0	0	-5.0	0	0	0	0	0	0	0	0	5.1
PLAY	0	0	0	0	0	0	-5.0	0	0	0	0	0	0	0	0	5.1
Ref No.	IC3822															
MODE	1	2	3	4	5	6	7	8	9	10	11	12	13	14	15	16
STOP	0	0	1.2	0	0	0	-5.0	0	0	0	0	0	0	0	0	5.1
PLAY	0	0	1.2	0	0	0	-5.0	0	0	0	0	0	0	0	0	5.1
Ref No.	IC3831															
MODE	1	2	3	4	5	6	7	8								
STOP	2.1	0	2.1	2.1	2.1	2.1	5.1	2.1								
PLAY	2.3	0	2.5	2.6	2.6	2.5	5.1	2.4								
Ref No.	IC3841															
MODE	1	2	3	4	5	6	7	8	9	10	11	12	13	14	15	16
STOP	3.8	0.7	0	0.7	0	0	0	0	2.8	0	0	0	3.0	2.8	3.0	5.1
PLAY	3.8	0.7	0	0.7	0	0	0.7	0	2.8	3.0	0	2.8	3.0	2.8	3.0	5.1

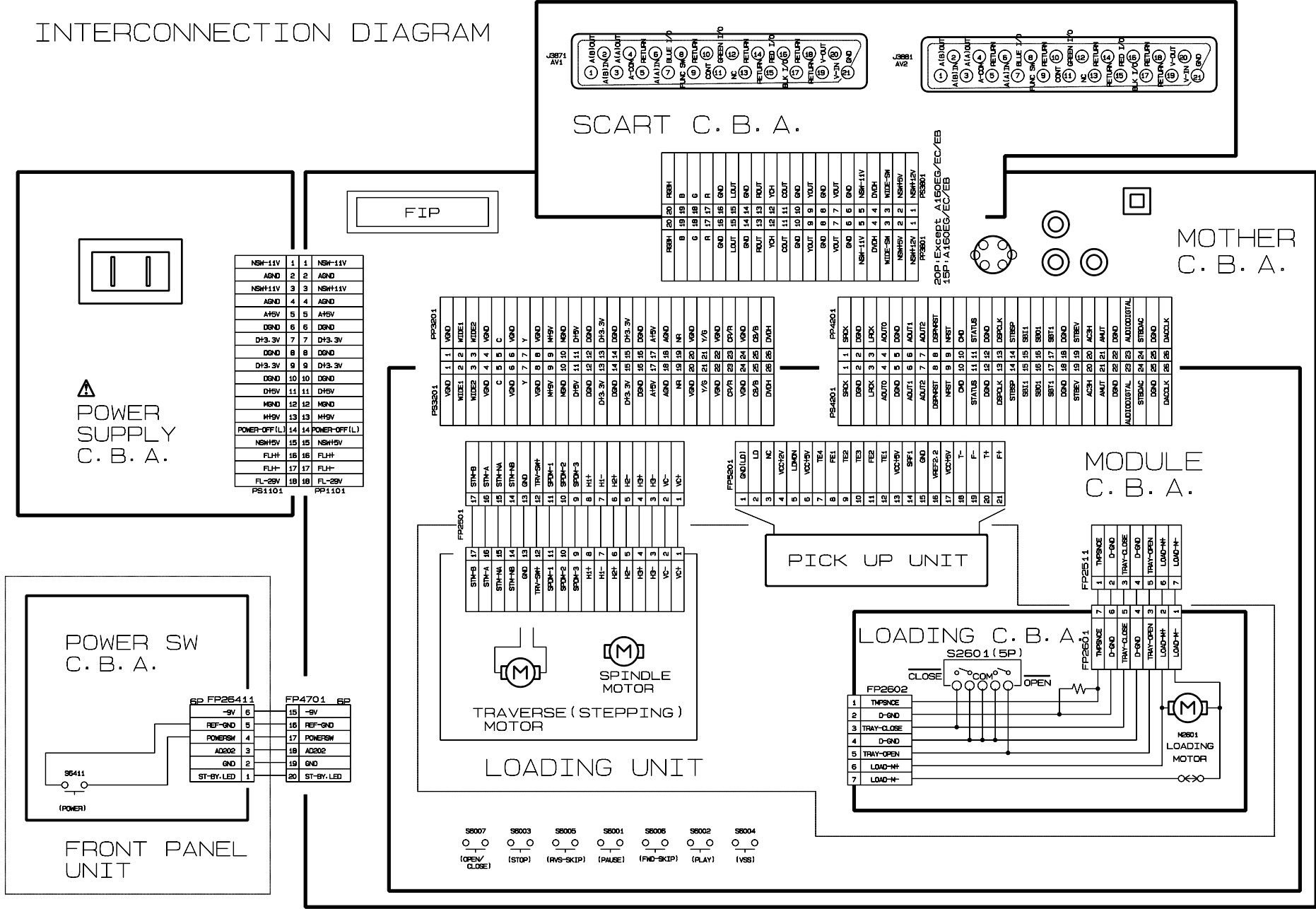
#### TRANSISTOR

Ref No.	Q3851			Q3852						Q3853					
MODE	E	C	B	1	2	3	4	5	6	1	2	3	4	5	6
STOP	13.1	0	13.1	0	0	0	0	0.1	0	0	0	0	0	5.0	0
PLAY	13.4	0	13.4	0	0	-0.1	0	0.7	0	0	0	0	0	5.0	0
Ref No.	Q3861			Q3862						Q3863			Q3864		
MODE	E	C	B	1	2	3	4	5	6	E	C	B	E	C	B
STOP	0.2	0	0	11.1	11.1	11.1	0	10.4	11.1	0.1	0.1	0.1	11.7	13.1	11.7
PLAY	0.2	0	0	11.1	11.1	11.1	0	10.4	11.1	0.1	0.1	0.1	11.1	13.4	11.7

#### TRANSISTOR & RESISTOR

Ref No.	QR3841					QR3842			QR3843					QR3851		
MODE	1	2	3	4	5	E	C	B	1	2	3	4	5	E	C	B
STOP	4.6	4.6	0	0	0	0	0	4.6	3.8	3.8	0	0	0	0	5.0	0
PLAY	4.6	4.6	0	0	0	0	0	4.6	3.8	3.8	0	0	0	0	5.0	0
Ref No.	QR3852					QR3853					QR3861					
MODE	1	2	3	4	5	1	2	3	4	5	E	C	B			
STOP	13.1	0	5.0	0	0	5.0	4.9	0	5.0	0	0	5.0	0			
PLAY	13.3	0	5.0	0	0	5.0	4.9	0	5.0	0	0	5.0	0			
Ref No.	QR3862					QR3863										
MODE	1	2	3	4	5	1	2	3	4	5						
STOP	0	11.1	0	0	5.0	0	0.1	0	0	5.0						
PLAY	0	11.1	0	0	5.0	0	0.1	0	0	5.0						

# INTERCONNECTION DIAGRAM



# WIRING DIAGRAM

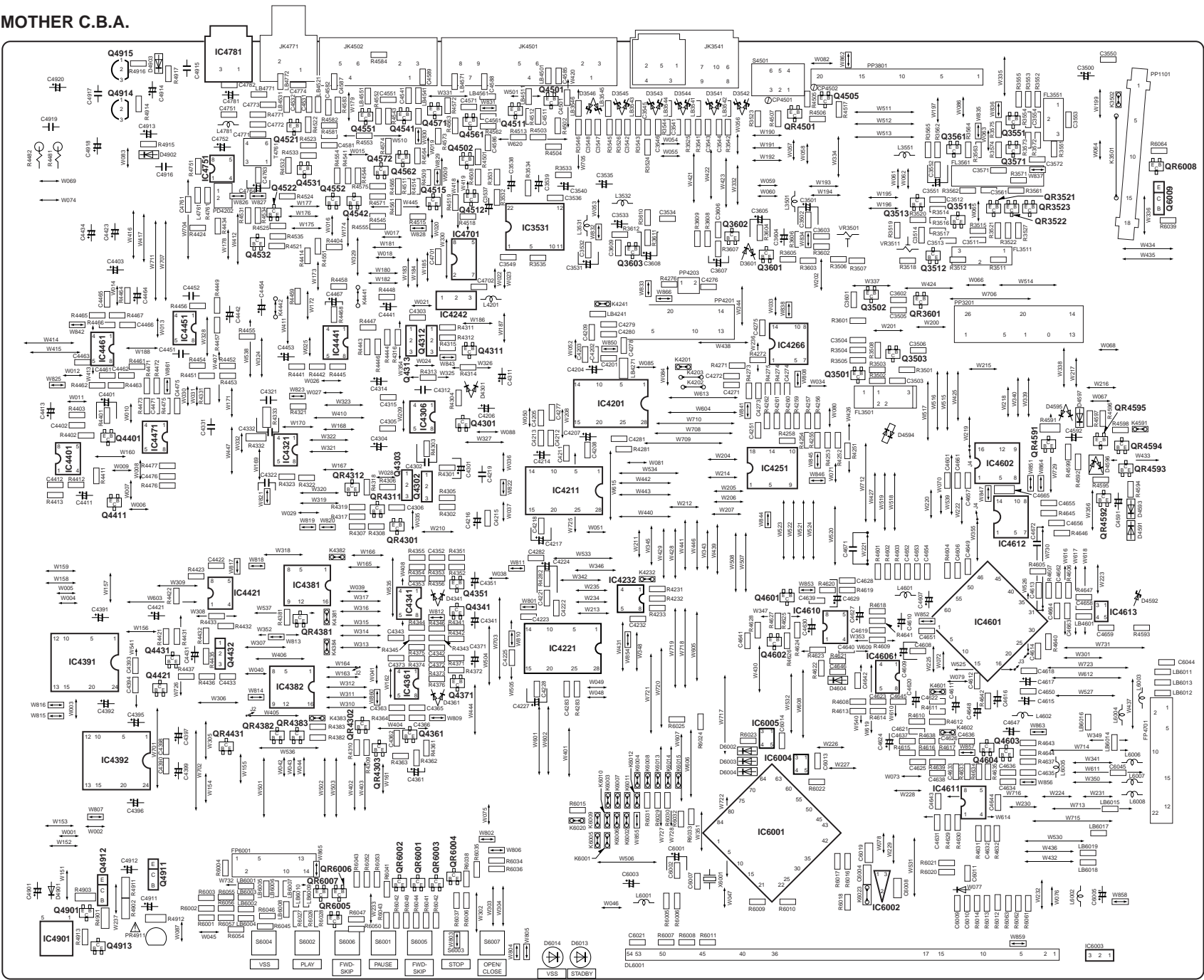
# DVF-3020



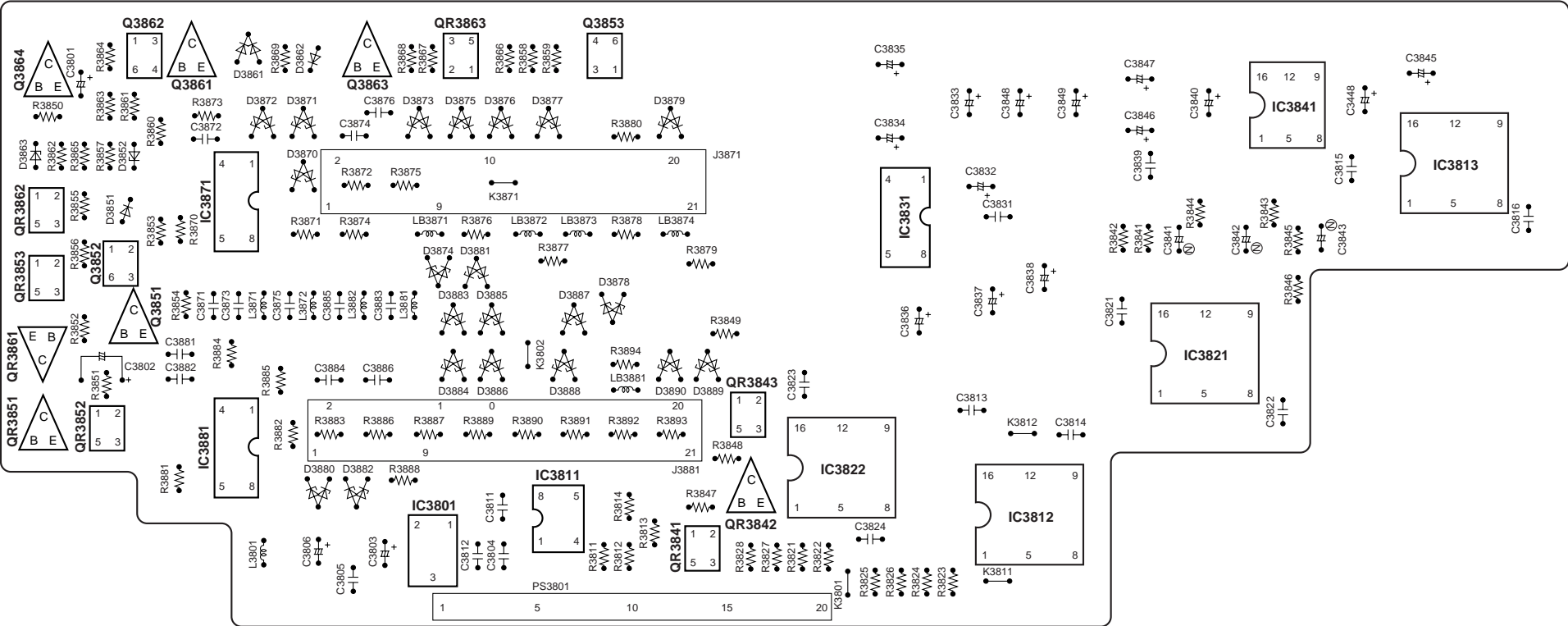




MOTHER C.B.A.




SCART C.B.A.



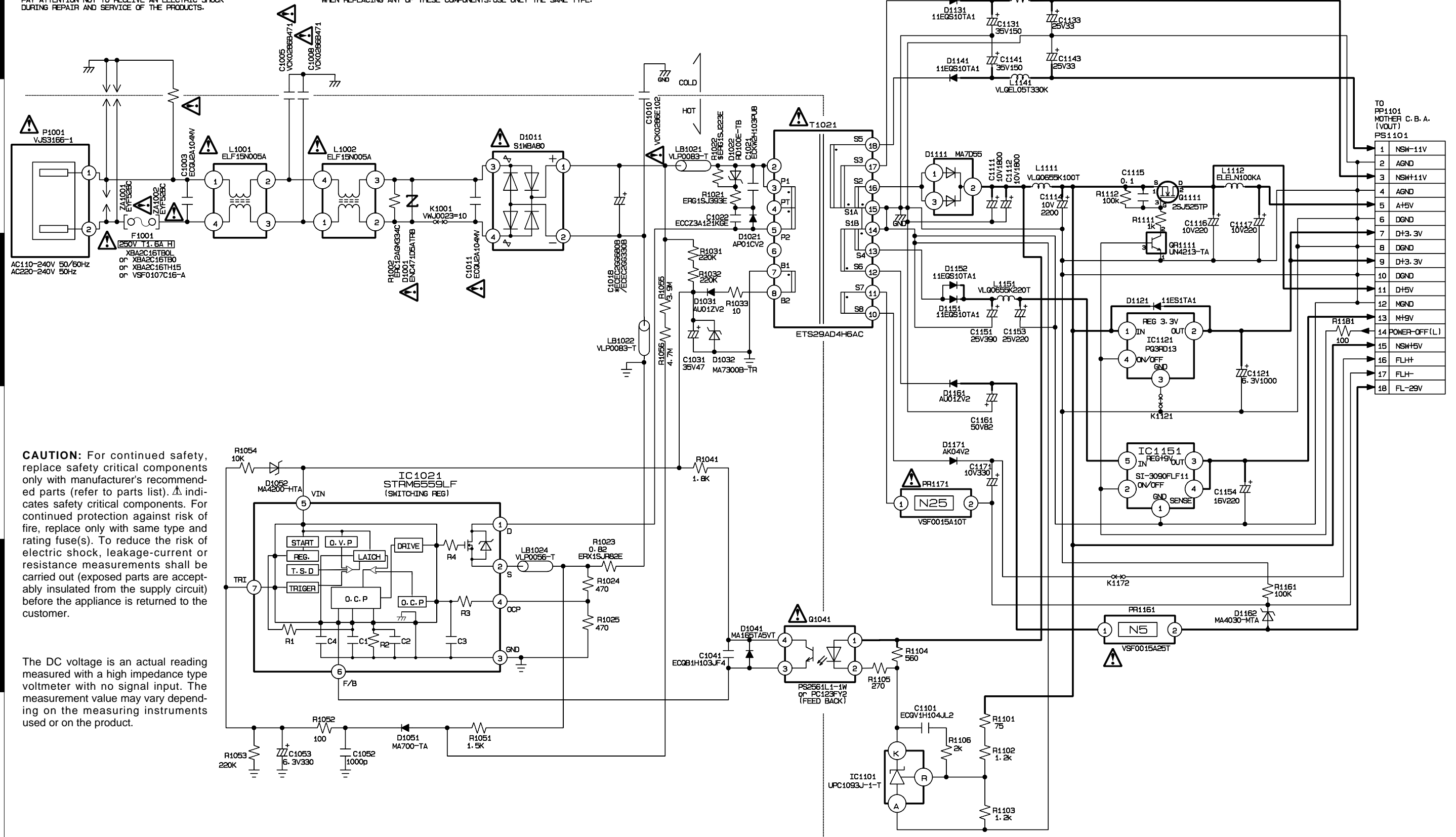
Refer to the schematic diagram for the value of resistors and capacitors.

# Power supply

**CAUTION**

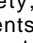
THE  MARK INDICATES THE PRIMARY CIRCUIT TO DISTINGUISH THE PRIMARY FROM THE SECONDARY CIRCUIT. PAY ATTENTION NOT TO RECEIVE AN ELECTRIC SHOCK DURING REPAIR AND SERVICE OF THE PRODUCTS.

IMPORTANT SAFETY NOTICE: COMPONENTS IDENTIFIED WITH THE MARK  HAVE THE SPECIAL CHARACTERISTICS FOR SAFETY. WHEN REPLACING ANY OF THESE COMPONENTS, USE ONLY THE SAME TYPE.

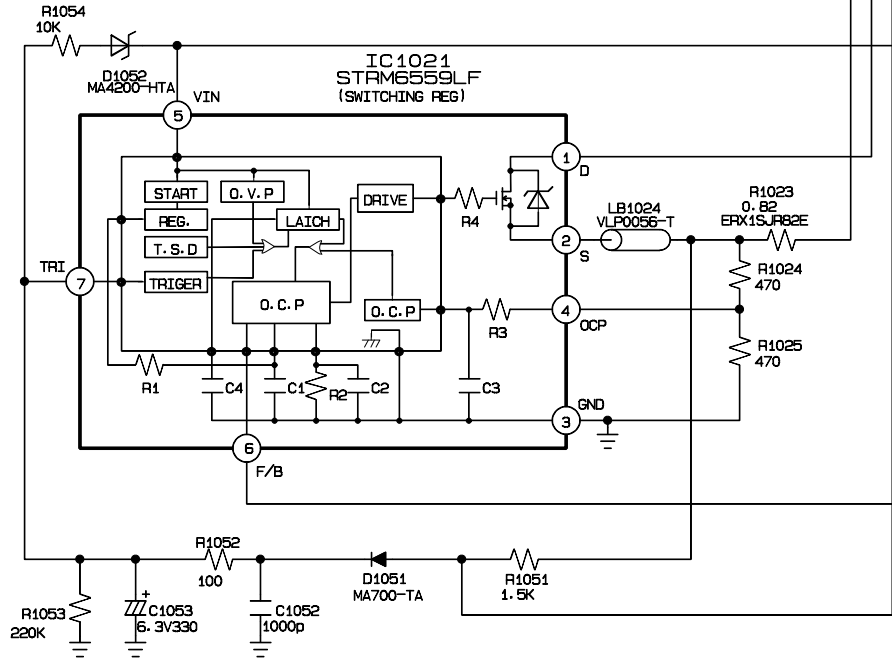


TO PP1101 MOTHER C. B. A. (VOLT) PS1101

1	NSW-11V
2	AGND
3	NSW+11V
4	AGND
5	A+5V
6	DGND
7	D+3.3V
8	DGND
9	D+3.3V
10	DGND
11	D+5V
12	MGND
13	M+5V
14	POWER-OFF (L)
15	NSW+5V
16	FLH+
17	FLH-
18	FL-29V

**CAUTION:** For continued safety, replace safety critical components only with manufacturer's recommended parts (refer to parts list).  indicates safety critical components. For continued protection against risk of fire, replace only with same type and rating fuse(s). To reduce the risk of electric shock, leakage-current or resistance measurements shall be carried out (exposed parts are acceptably insulated from the supply circuit) before the appliance is returned to the customer.

The DC voltage is an actual reading measured with a high impedance type voltmeter with no signal input. The measurement value may vary depending on the measuring instruments used or on the product.



**HOT**

<<WARNING! Live Mains>>

**HOT** **COLD**

NOTE: DO NOT USE THE PART NUMBER SHOWN ON THIS DRAWING FOR ORDERING. THE CORRECT PART NUMBER IS SHOWN IN THE PARTS LIST, AND MAY BE SLIGHTLY DIFFERENT OR AMENDED SINCE THIS DRAWING WAS PREPARED.

# DVF-3020

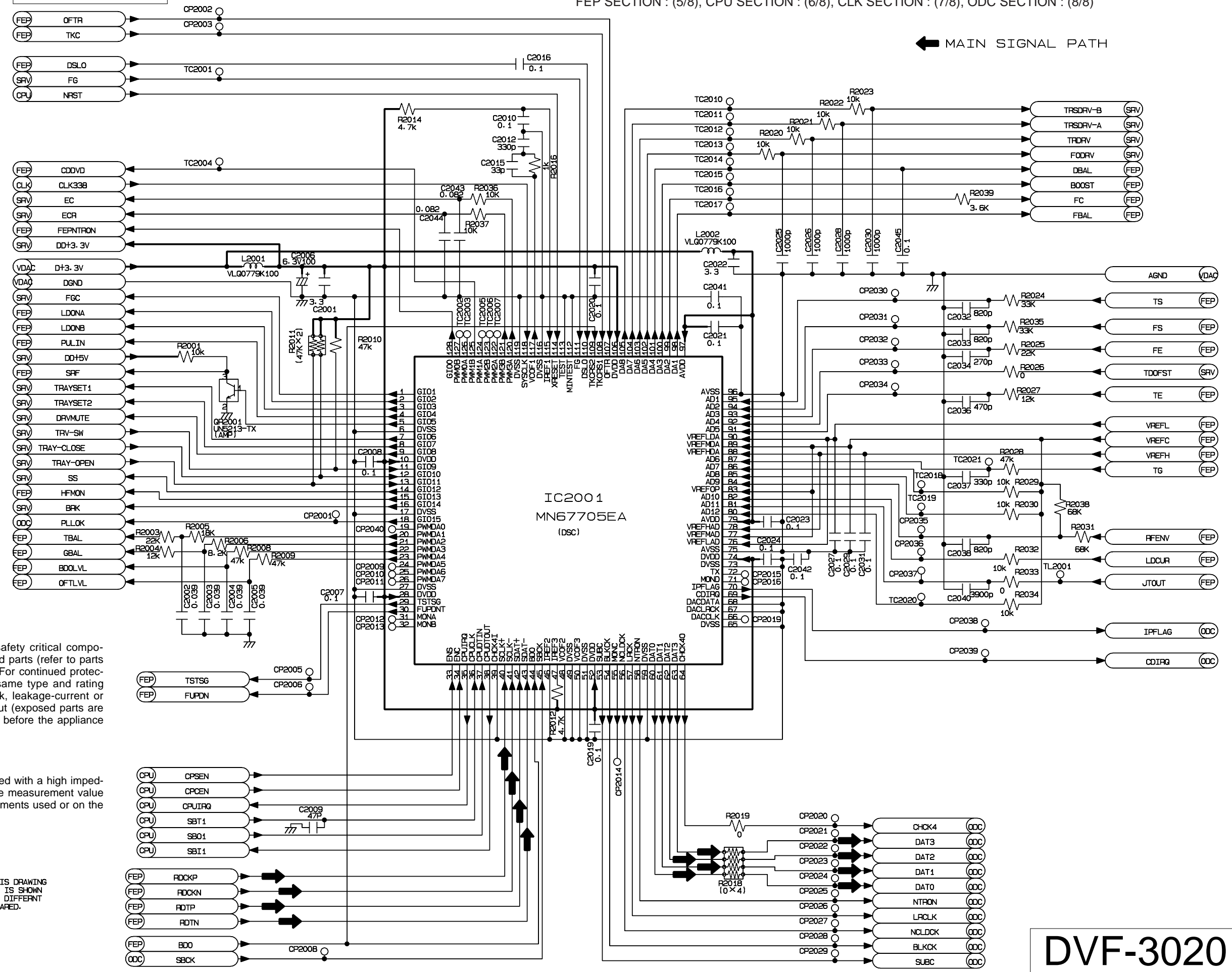
## KENWOOD

Y22-8202-73

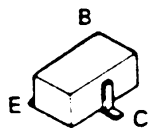
**ADSC/module(1/8)**

ADSC SECTION : (1/8), SRV SECTION : (2/8), AVDEC SECTION : (3/8), VDAC SECTION : (4/8)  
 FEP SECTION : (5/8), CPU SECTION : (6/8), CLK SECTION : (7/8), ODC SECTION : (8/8)

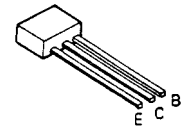
← MAIN SIGNAL PATH



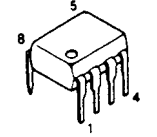
DTA123JK 2SD1328  
 UN5213  
 2SB1218A  
 2SB709A



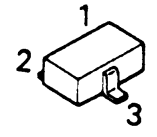
UN4213



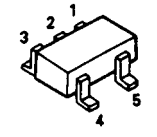
UPC1093J



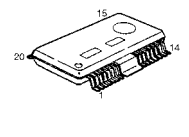
UN5212



TC7SH08FU



BA5983FM



**CAUTION:** For continued safety, replace safety critical components only with manufacturer's recommended parts (refer to parts list).  $\Delta$  indicates safety critical components. For continued protection against risk of fire, replace only with same type and rating fuse(s). To reduce the risk of electric shock, leakage-current or resistance measurements shall be carried out (exposed parts are acceptably insulated from the supply circuit) before the appliance is returned to the customer.

The DC voltage is an actual reading measured with a high impedance type voltmeter with no signal input. The measurement value may vary depending on the measuring instruments used or on the product.

NOTE: DO NOT USE THE PART NUMBER SHOWN ON THIS DRAWING FOR ORDERING. THE CORRECT PART NUMBER IS SHOWN IN THE PARTS LIST AND MAY BE SLIGHTLY DIFFERENT OR AMENDED SINCE THIS DRAWING WAS PREPARED.

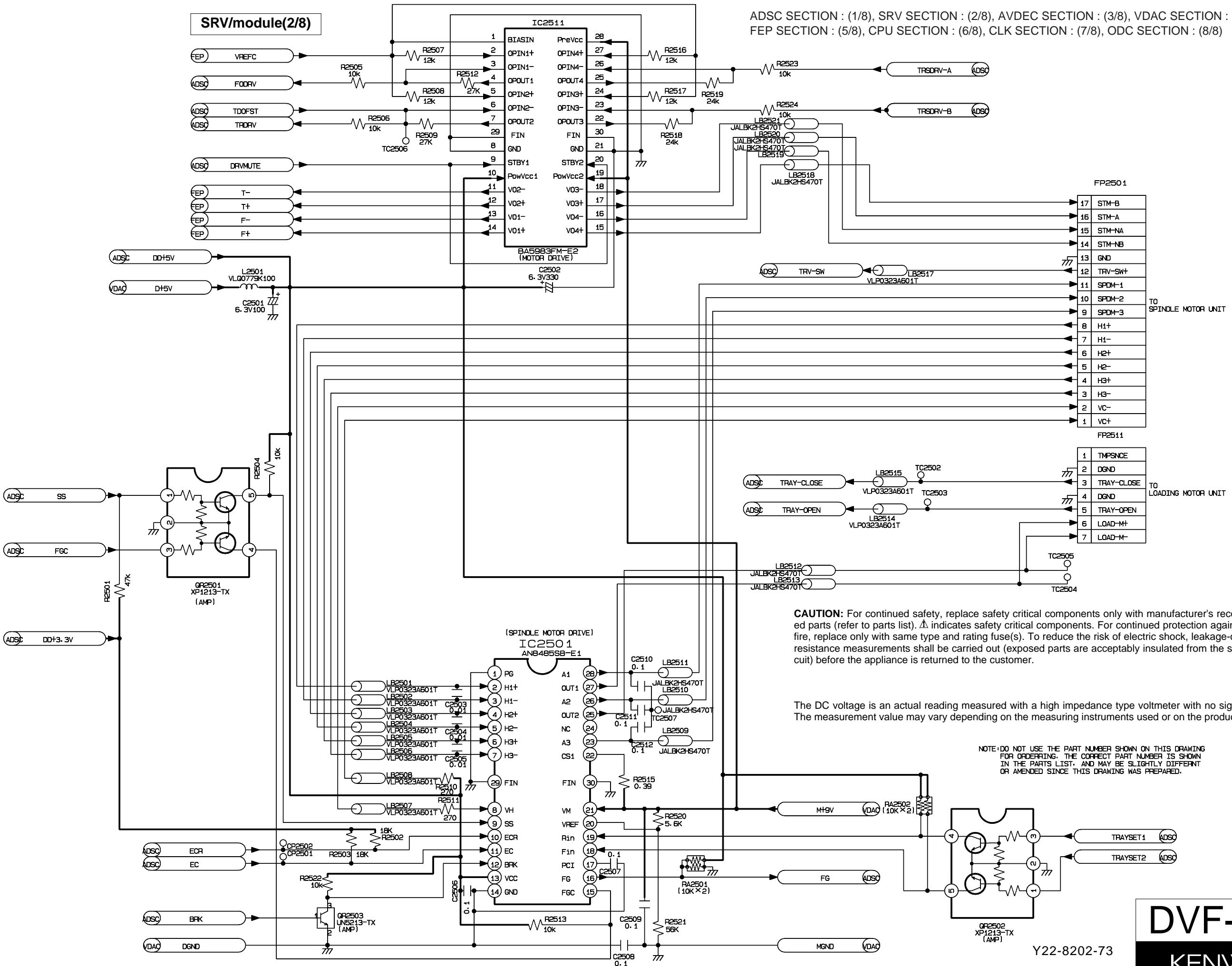
**DVF-3020**

**KENWOOD**

Y22-8202-73

SRV/module(2/8)

ADSC SECTION : (1/8), SRV SECTION : (2/8), AVDEC SECTION : (3/8), VDAC SECTION : (4/8)  
 FEP SECTION : (5/8), CPU SECTION : (6/8), CLK SECTION : (7/8), ODC SECTION : (8/8)



FP2501

17	STM-B
16	STM-A
15	STM-NA
14	STM-NB
13	GND
12	TRV-SW+
11	SPDM-1
10	SPDM-2
9	SPDM-3
8	H1+
7	H1-
6	H2+
5	H2-
4	H3+
3	H3-
2	VC-
1	VC+

TO SPINDLE MOTOR UNIT

FP2511

1	TMPSNCE
2	DGND
3	TRAY-CLOSE
4	DGND
5	TRAY-OPEN
6	LOAD-M+
7	LOAD-M-

TO LOADING MOTOR UNIT

**CAUTION:** For continued safety, replace safety critical components only with manufacturer's recommended parts (refer to parts list). Δ indicates safety critical components. For continued protection against risk of fire, replace only with same type and rating fuse(s). To reduce the risk of electric shock, leakage-current or resistance measurements shall be carried out (exposed parts are acceptably insulated from the supply circuit) before the appliance is returned to the customer.

The DC voltage is an actual reading measured with a high impedance type voltmeter with no signal input. The measurement value may vary depending on the measuring instruments used or on the product.

NOTE: DO NOT USE THE PART NUMBER SHOWN ON THIS DRAWING FOR ORDERING. THE CORRECT PART NUMBER IS SHOWN IN THE PARTS LIST, AND MAY BE SLIGHTLY DIFFERENT OR AMENDED SINCE THIS DRAWING WAS PREPARED.

DVF-3020

KENWOOD

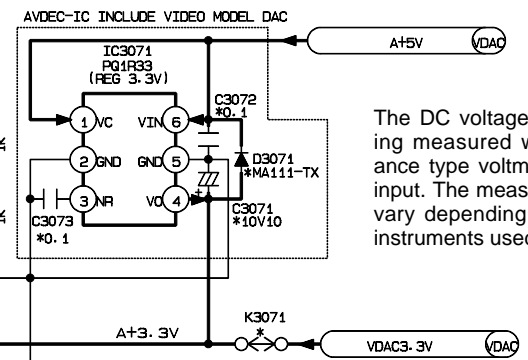
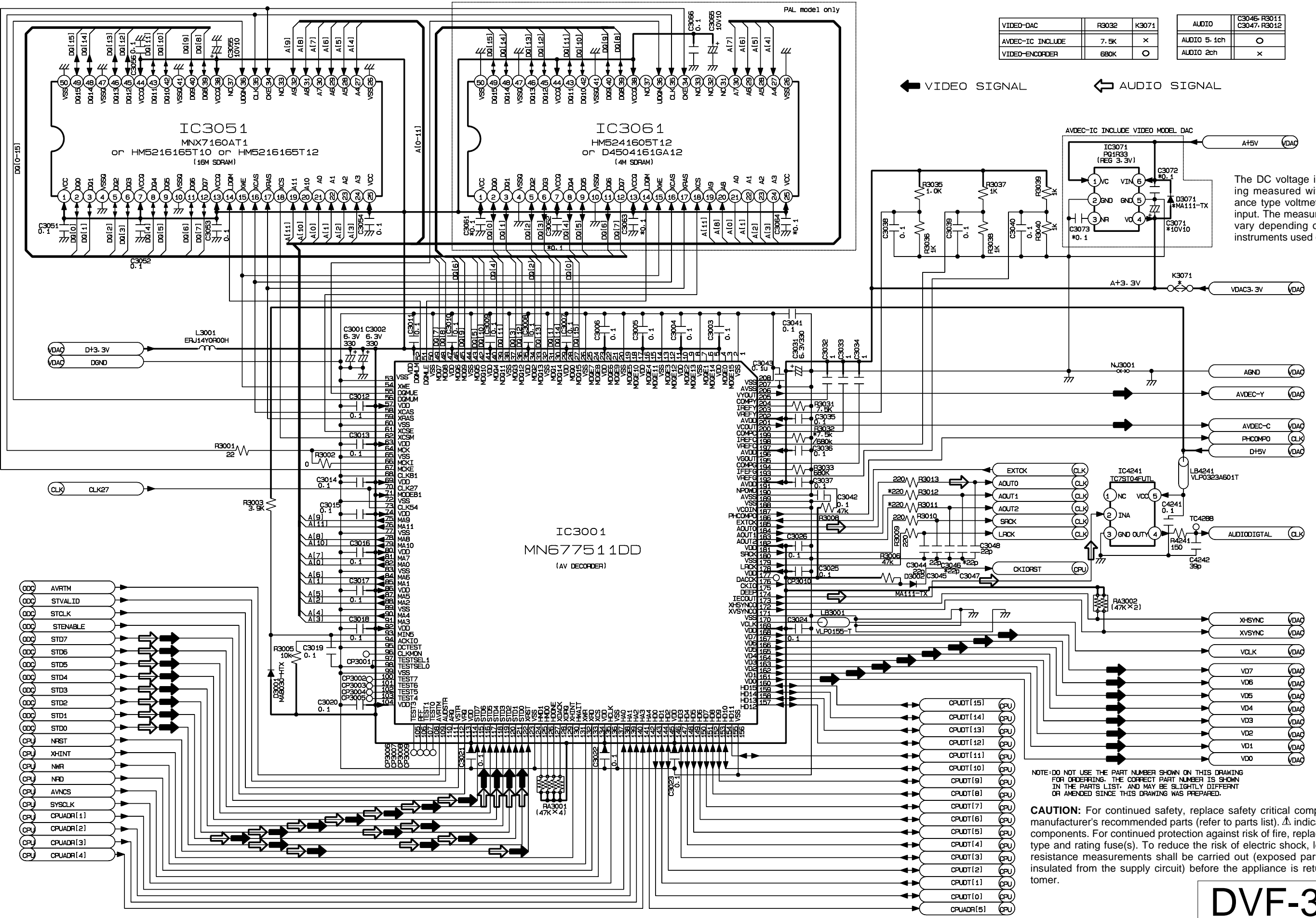
Y22-8202-73

AVDEC/module(3/8)

AD5C SECTION : (1/8), SRV SECTION : (2/8), AVDEC SECTION : (3/8), VDAC SECTION : (4/8)  
 FEP SECTION : (5/8), CPU SECTION : (6/8), CLK SECTION : (7/8), ODC SECTION : (8/8)

VIDEO-DAC	R3032	K3071	AUDIO	C3046, R3011
AVDEC-IC INCLUDE	7.5K	×	AUDIO 5-1ch	○
VIDEO-ENCODER	680K	○	AUDIO 2ch	×

← VIDEO SIGNAL      ← AUDIO SIGNAL



The DC voltage is an actual reading measured with a high impedance type voltmeter with no signal input. The measurement value may vary depending on the measuring instruments used or on the product.

NOTE: DO NOT USE THE PART NUMBER SHOWN ON THIS DRAWING FOR ORDERING. THE CORRECT PART NUMBER IS SHOWN IN THE PARTS LIST, AND MAY BE SLIGHTLY DIFFERENT OR AMENDED SINCE THIS DRAWING WAS PREPARED.

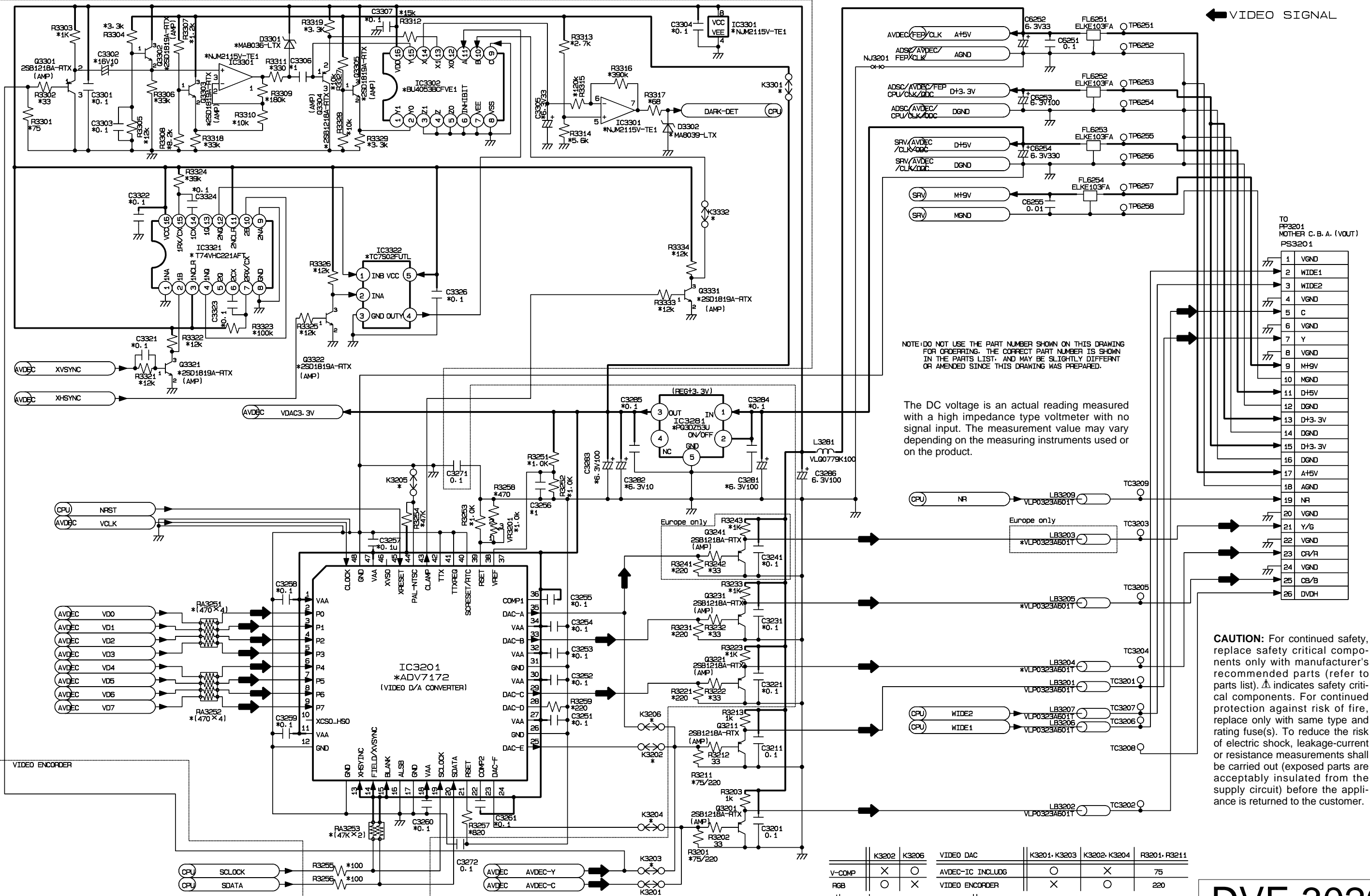
CAUTION: For continued safety, replace safety critical components only with manufacturer's recommended parts (refer to parts list).  $\Delta$  indicates safety critical components. For continued protection against risk of fire, replace only with same type and rating fuse(s). To reduce the risk of electric shock, leakage-current or resistance measurements shall be carried out (exposed parts are acceptably insulated from the supply circuit) before the appliance is returned to the customer.

**DVF-3020**  
**KENWOOD**

Y22-8202-73

VDAC/module(4/8)

ADSC SECTION : (1/8), SRV SECTION : (2/8), AVDEC SECTION : (3/8), VDAC SECTION : (4/8)  
 FEP SECTION : (5/8), CPU SECTION : (6/8), CLK SECTION : (7/8), ODC SECTION : (8/8)



NOTE: DO NOT USE THE PART NUMBER SHOWN ON THIS DRAWING FOR ORDERING. THE CORRECT PART NUMBER IS SHOWN IN THE PARTS LIST, AND MAY BE SLIGHTLY DIFFERENT OR AMENDED SINCE THIS DRAWING WAS PREPARED.

The DC voltage is an actual reading measured with a high impedance type voltmeter with no signal input. The measurement value may vary depending on the measuring instruments used or on the product.

**CAUTION:** For continued safety, replace safety critical components only with manufacturer's recommended parts (refer to parts list).  $\Delta$  indicates safety critical components. For continued protection against risk of fire, replace only with same type and rating fuse(s). To reduce the risk of electric shock, leakage-current or resistance measurements shall be carried out (exposed parts are acceptably insulated from the supply circuit) before the appliance is returned to the customer.

	K3202	K3206	VIDEO DAC	K3201, K3203	K3202, K3204	R3201, R3211
V-COMP	X	O	AVDEC-IC INCLUDG	O	X	75
RGB	O	X	VIDEO ENCODER	X	O	220
ADJ	R3253	R3258, VR3201				
INNER ADJ	X	O	NTSC			O
OUT ADJ	O	X	PAL			X

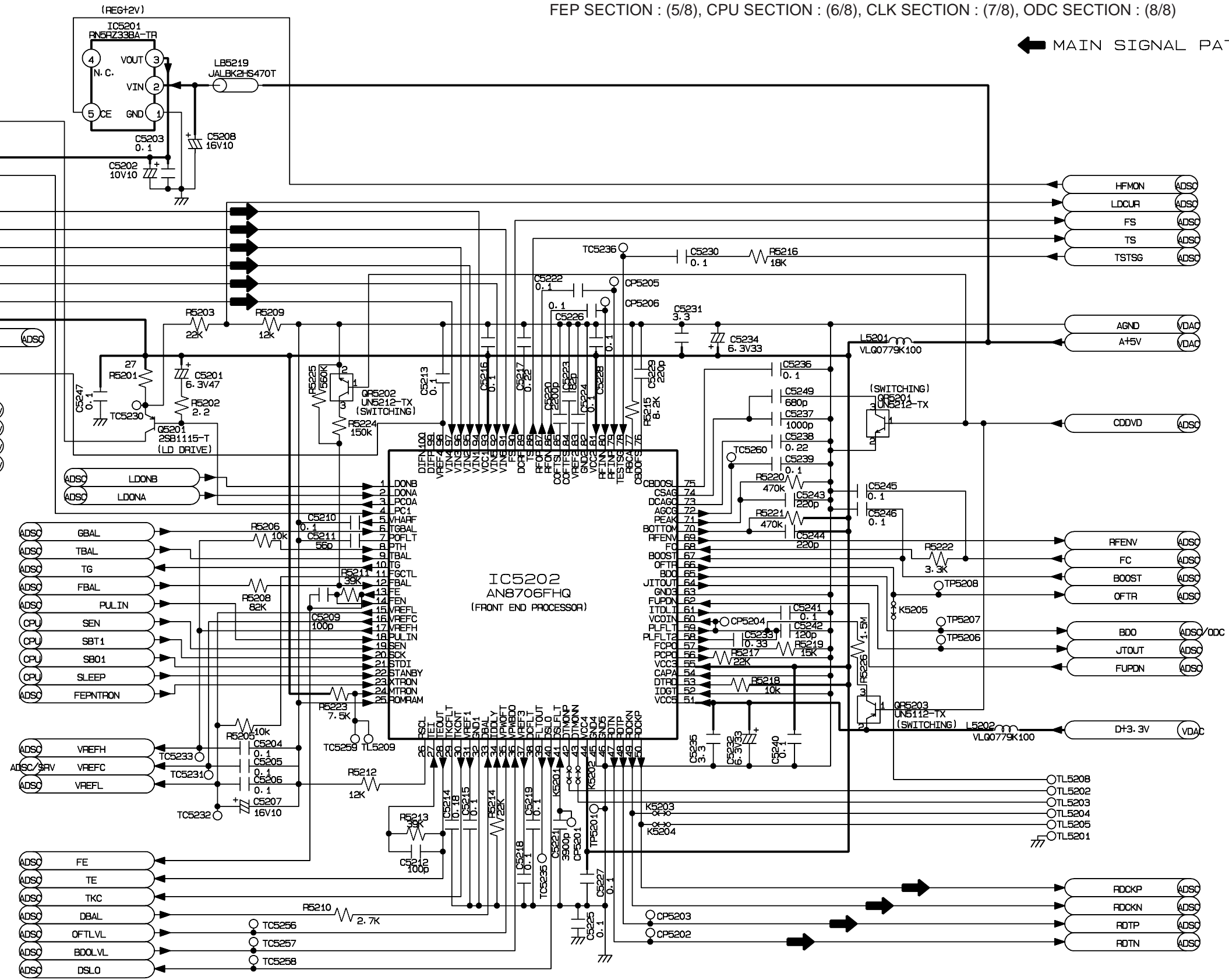
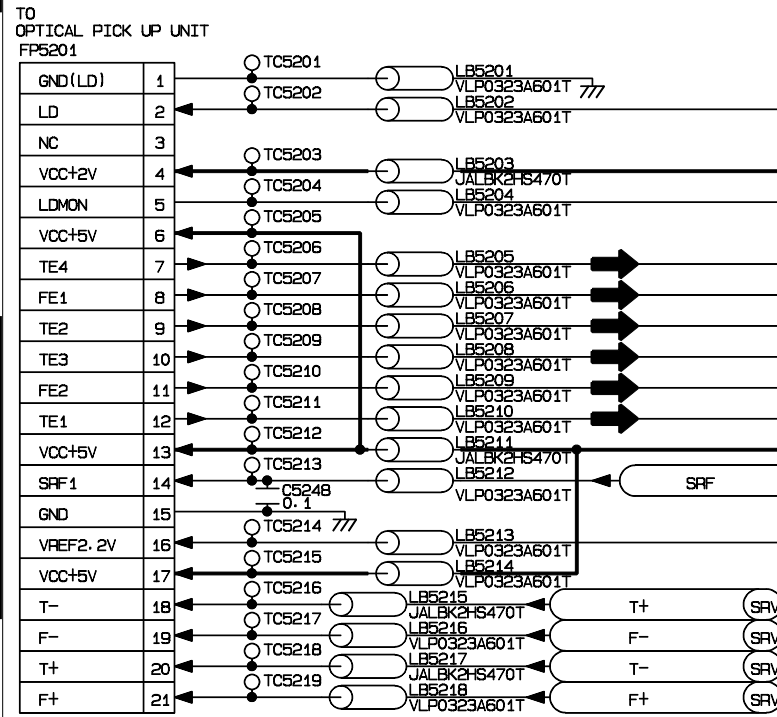
Y22-8202-73

**DVF-3020**  
 KENWOOD

FEP/module(5/8)

ADSC SECTION : (1/8), SRV SECTION : (2/8), AVDEC SECTION : (3/8), VDAC SECTION : (4/8)  
 FEP SECTION : (5/8), CPU SECTION : (6/8), CLK SECTION : (7/8), ODC SECTION : (8/8)

← MAIN SIGNAL PATH



**CAUTION:** For continued safety, replace safety critical components only with manufacturer's recommended parts (refer to parts list).  $\Delta$  indicates safety critical components. For continued protection against risk of fire, replace only with same type and rating fuse(s). To reduce the risk of electric shock, leakage-current or resistance measurements shall be carried out (exposed parts are acceptably insulated from the supply circuit) before the appliance is returned to the customer.

The DC voltage is an actual reading measured with a high impedance type voltmeter with no signal input. The measurement value may vary depending on the measuring instruments used or on the product.

NOTE: DO NOT USE THE PART NUMBER SHOWN ON THIS DRAWING FOR ORDERING. THE CORRECT PART NUMBER IS SHOWN IN THE PARTS LIST, AND MAY BE SLIGHTLY DIFFERENT OR AMENDED SINCE THIS DRAWING WAS PREPARED.

**DVF-3020**  
**KENWOOD**

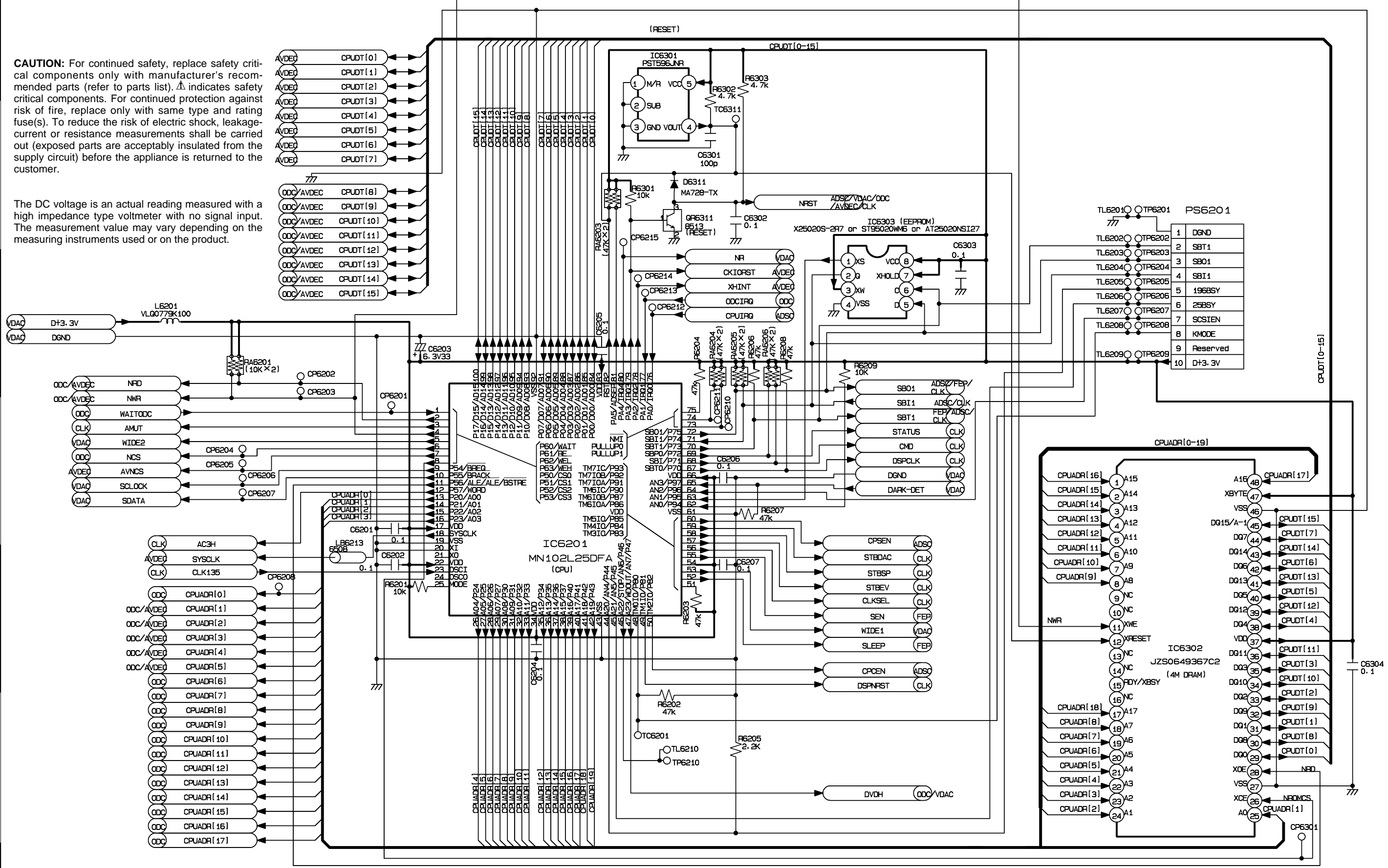


CPU/module(6/8)

ADSC SECTION : (1/8), SRV SECTION : (2/8), AVDEC SECTION : (3/8), VDAC SECTION : (4/8)  
 FEP SECTION : (5/8), CPU SECTION : (6/8), CLK SECTION : (7/8), ODC SECTION : (8/8)

**CAUTION:** For continued safety, replace safety critical components only with manufacturer's recommended parts (refer to parts list).  $\Delta$  indicates safety critical components. For continued protection against risk of fire, replace only with same type and rating fuse(s). To reduce the risk of electric shock, leakage-current or resistance measurements shall be carried out (exposed parts are acceptably insulated from the supply circuit) before the appliance is returned to the customer.

The DC voltage is an actual reading measured with a high impedance type voltmeter with no signal input. The measurement value may vary depending on the measuring instruments used or on the product.



1  
2  
3  
4  
5  
6  
7

NOTE: DO NOT USE THE PART NUMBER SHOWN ON THIS DRAWING FOR ORDERING. THE CORRECT PART NUMBER IS SHOWN IN THE PARTS LIST. AND MAY BE SLIGHTLY DIFFERENT OR AMENDED SINCE THIS DRAWING WAS PREPARED.

Y22-8202-73

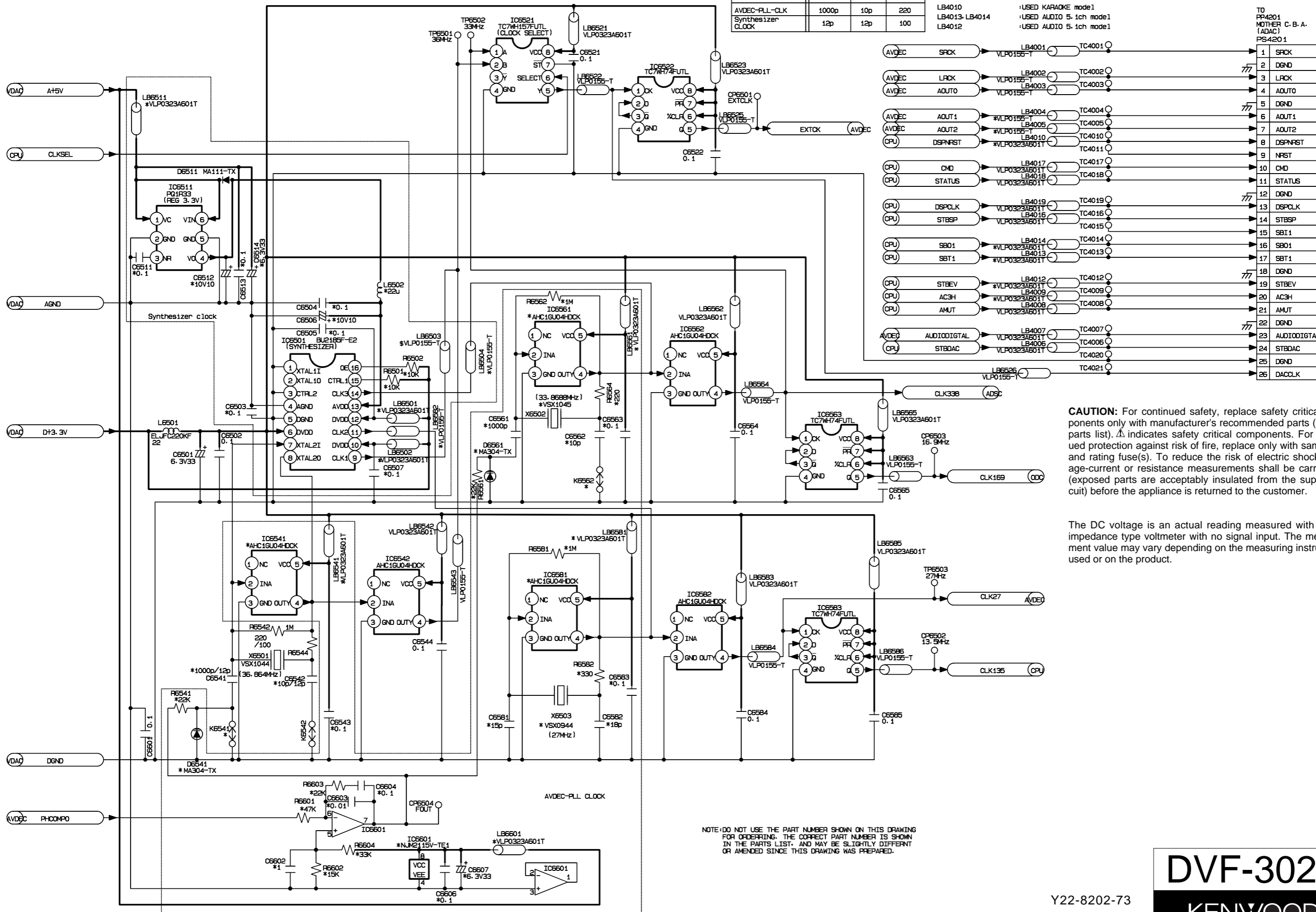
CLK/module(7/8)

ADSC SECTION : (1/8), SRV SECTION : (2/8), AVDEC SECTION : (3/8), VDAC SECTION : (4/8)  
 FEP SECTION : (5/8), CPU SECTION : (6/8), CLK SECTION : (7/8), ODC SECTION : (8/8)

	C6541	C6542	R6544
AVDEC-PLL-CLK	1000p	10p	220
Synthesizer CLOCK	12p	12p	100

LB4004, LB4005, LB4009:USED AUDIO 5.1ch mode1  
 LB4010 :USED KARAOKE mode1  
 LB4013, LB4014 :USED AUDIO 5.1ch mode1  
 LB4012 :USED AUDIO 5.1ch mode1

TO PP4201 MOTHER C.B.A. (ADAC) PS4201



**CAUTION:** For continued safety, replace safety critical components only with manufacturer's recommended parts (refer to parts list).  $\Delta$  indicates safety critical components. For continued protection against risk of fire, replace only with same type and rating fuse(s). To reduce the risk of electric shock, leakage-current or resistance measurements shall be carried out (exposed parts are acceptably insulated from the supply circuit) before the appliance is returned to the customer.

The DC voltage is an actual reading measured with a high impedance type voltmeter with no signal input. The measurement value may vary depending on the measuring instruments used or on the product.

NOTE: DO NOT USE THE PART NUMBER SHOWN ON THIS DRAWING FOR ORDERING. THE CORRECT PART NUMBER IS SHOWN IN THE PARTS LIST, AND MAY BE SLIGHTLY DIFFERENT OR AMENDED SINCE THIS DRAWING WAS PREPARED.

CC

CD

CE

CF

CG

CH

CI

CJ

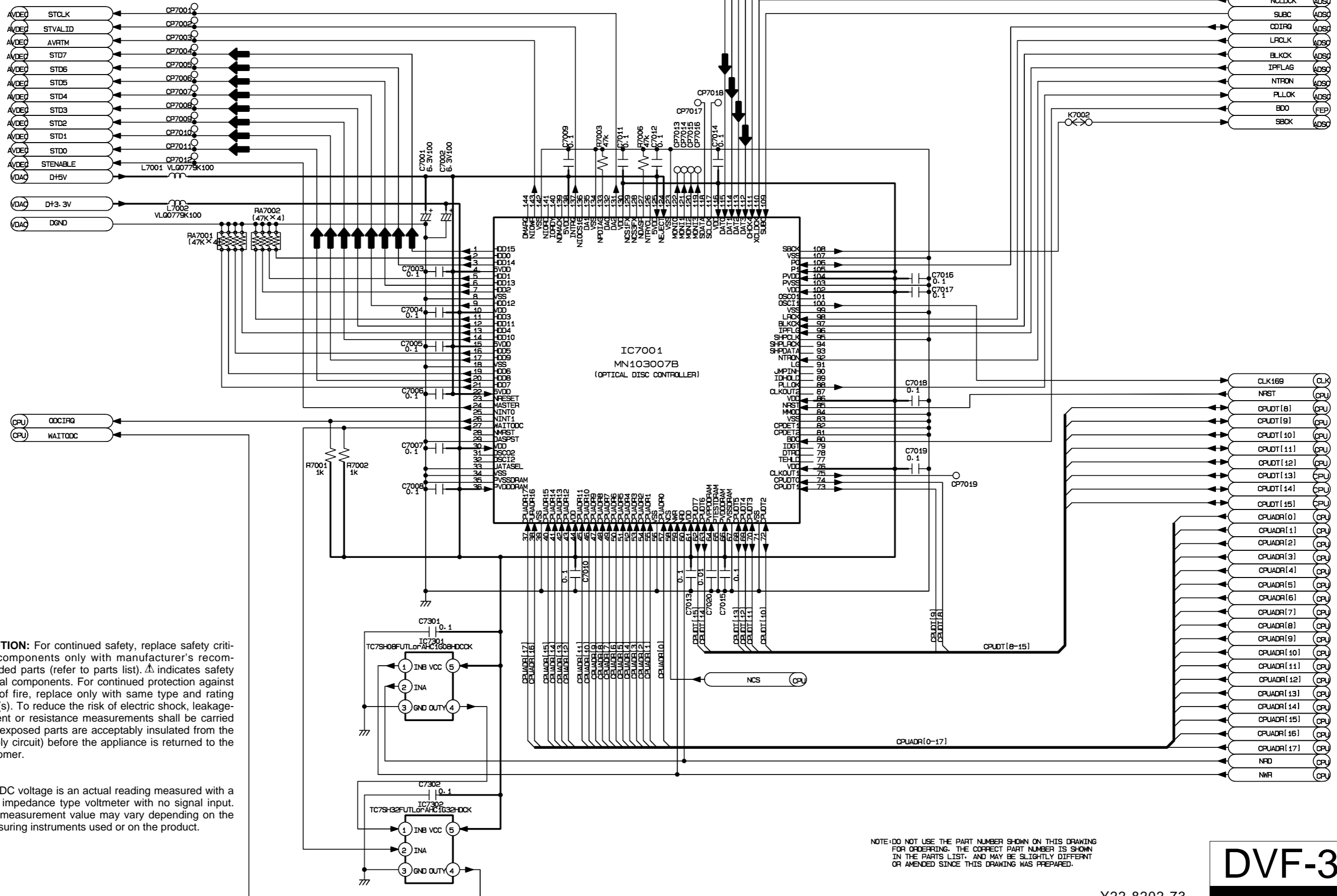
CK

CL

ODC/module(8/8)

ADSC SECTION : (1/8), SRV SECTION : (2/8), AVDEC SECTION : (3/8), VDAC SECTION : (4/8)  
 FEP SECTION : (5/8), CPU SECTION : (6/8), CLK SECTION : (7/8), ODC SECTION : (8/8)

← MAIN SIGNAL PATH



**CAUTION:** For continued safety, replace safety critical components only with manufacturer's recommended parts (refer to parts list).  $\Delta$  indicates safety critical components. For continued protection against risk of fire, replace only with same type and rating fuse(s). To reduce the risk of electric shock, leakage-current or resistance measurements shall be carried out (exposed parts are acceptably insulated from the supply circuit) before the appliance is returned to the customer.

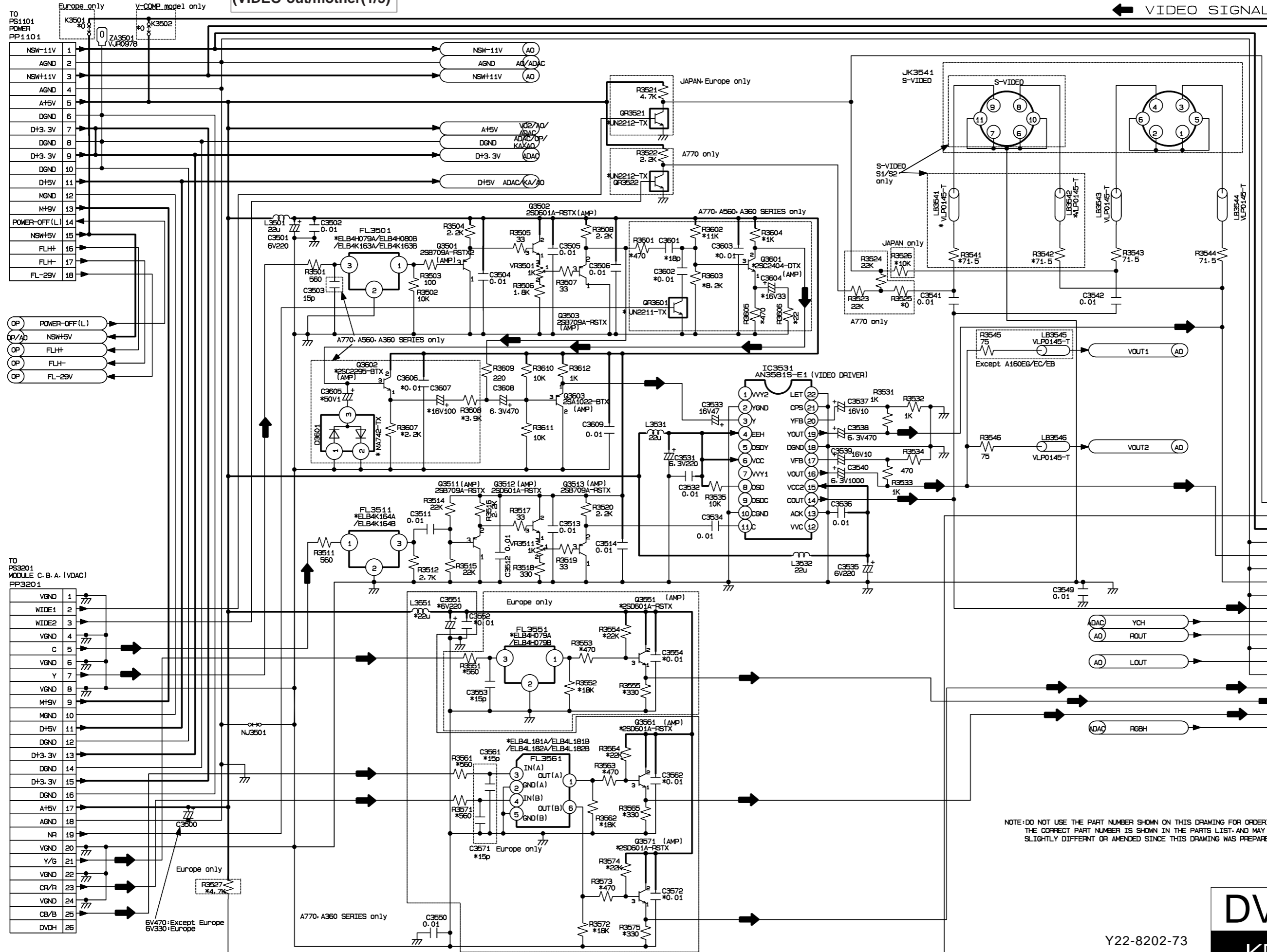
The DC voltage is an actual reading measured with a high impedance type voltmeter with no signal input. The measurement value may vary depending on the measuring instruments used or on the product.

NOTE: DO NOT USE THE PART NUMBER SHOWN ON THIS DRAWING FOR ORDERING. THE CORRECT PART NUMBER IS SHOWN IN THE PARTS LIST, AND MAY BE SLIGHTLY DIFFERENT OR AMENDED SINCE THIS DRAWING WAS PREPARED.

Ref. No. 23500-23699  
(VIDEO-out/mother(1/5))

VOU SECTION : (1/5), ADAC SECTION : (2/5)  
AC3 SECTION : (3/5), AO SECTION : (4/5), OP SECTION : (5/5)

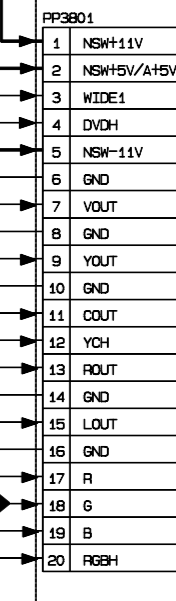
VIDEO SIGNAL



**CAUTION:** For continued safety, replace safety critical components only with manufacturer's recommended parts (refer to parts list).  $\Delta$  indicates safety critical components. For continued protection against risk of fire, replace only with same type and rating fuse(s). To reduce the risk of electric shock, leakage-current or resistance measurements shall be carried out (exposed parts are acceptably insulated from the supply circuit) before the appliance is returned to the customer.

The DC voltage is an actual reading measured with a high impedance type voltmeter with no signal input. The measurement value may vary depending on the measuring instruments used or on the product.

TO PS3801 SCART C.B.A. V-COMP and EUROPE mode1 only



NOTE: DO NOT USE THE PART NUMBER SHOWN ON THIS DRAWING FOR ORDERING. THE CORRECT PART NUMBER IS SHOWN IN THE PARTS LIST, AND MAY BE SLIGHTLY DIFFERENT OR AMENDED SINCE THIS DRAWING WAS PREPARED.

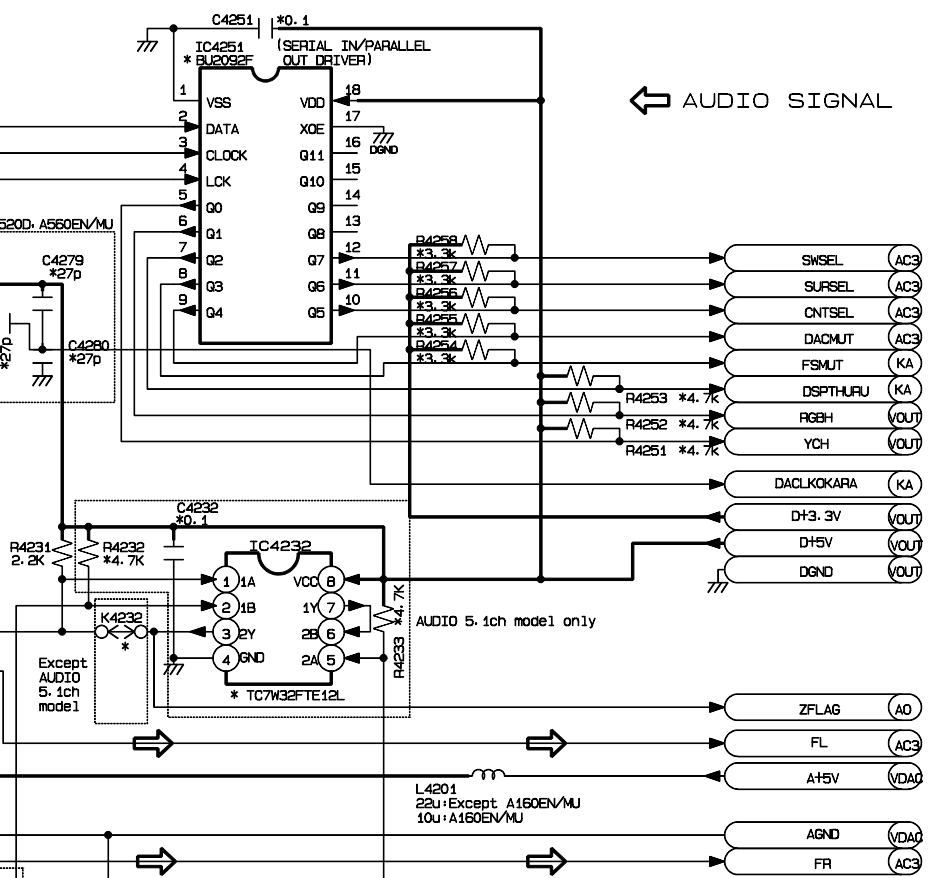
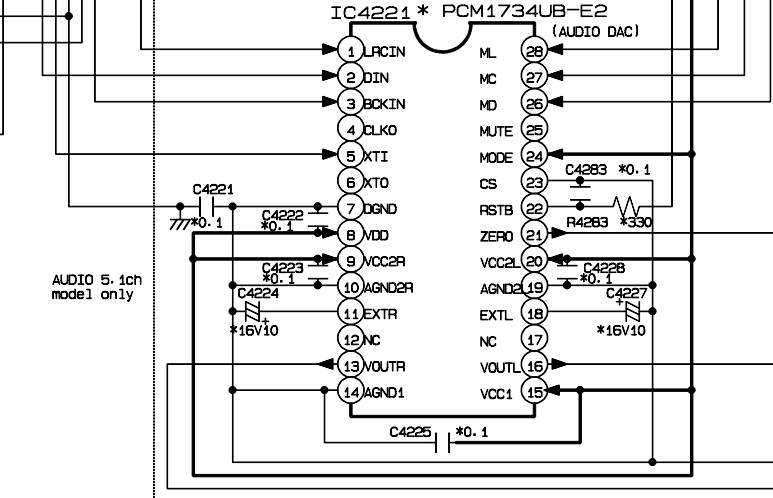
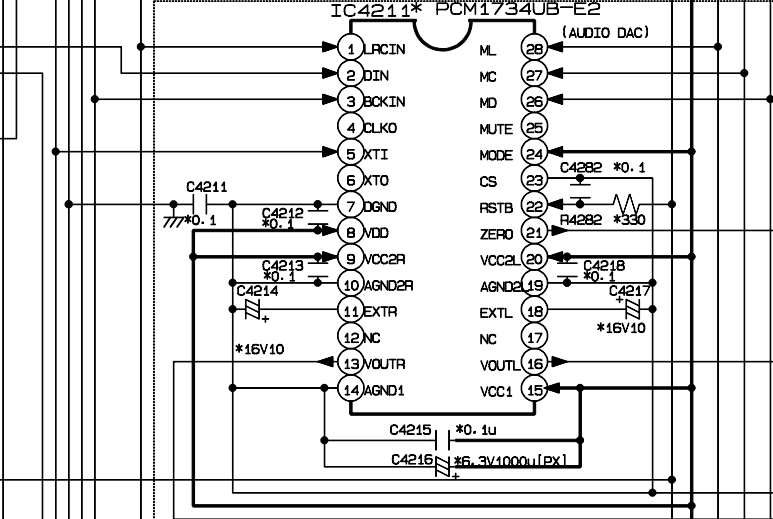
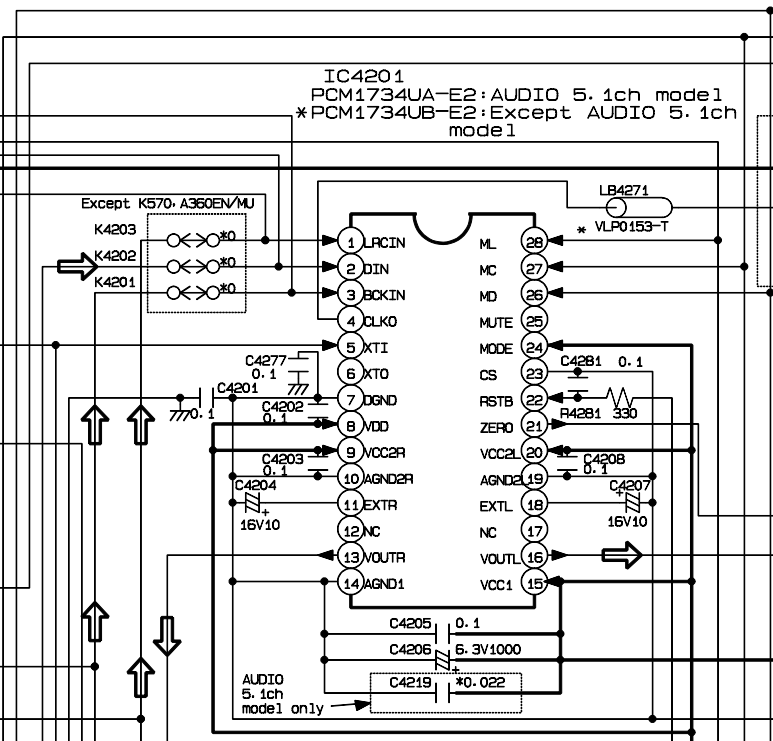
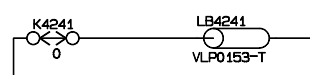
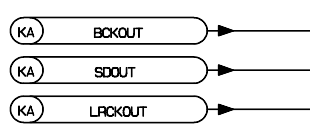
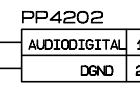
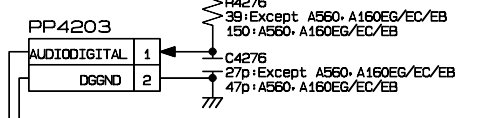
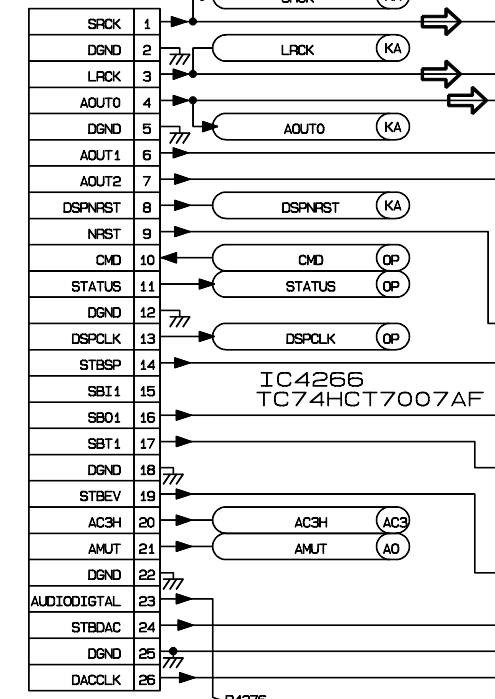
Ref. No. 24201-24299  
 AUDIO/DAC/mother(2/5)

**CAUTION:** For continued safety, replace safety critical components only with manufacturer's recommended parts (refer to parts list). ⚠ indicates safety critical components. For continued protection against risk of fire, replace only with same type and rating fuse(s). To reduce the risk of electric shock, leakage-current or resistance measurements shall be carried out (exposed parts are acceptably insulated from the supply circuit) before the appliance is returned to the customer.

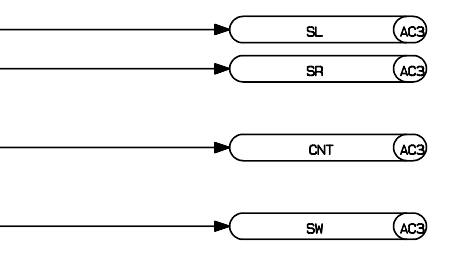
The DC voltage is an actual reading measured with a high impedance type voltmeter with no signal input. The measurement value may vary depending on the measuring instruments used or on the product.



TO FP4201 MODULE C.B.A. (CLK) PP4201



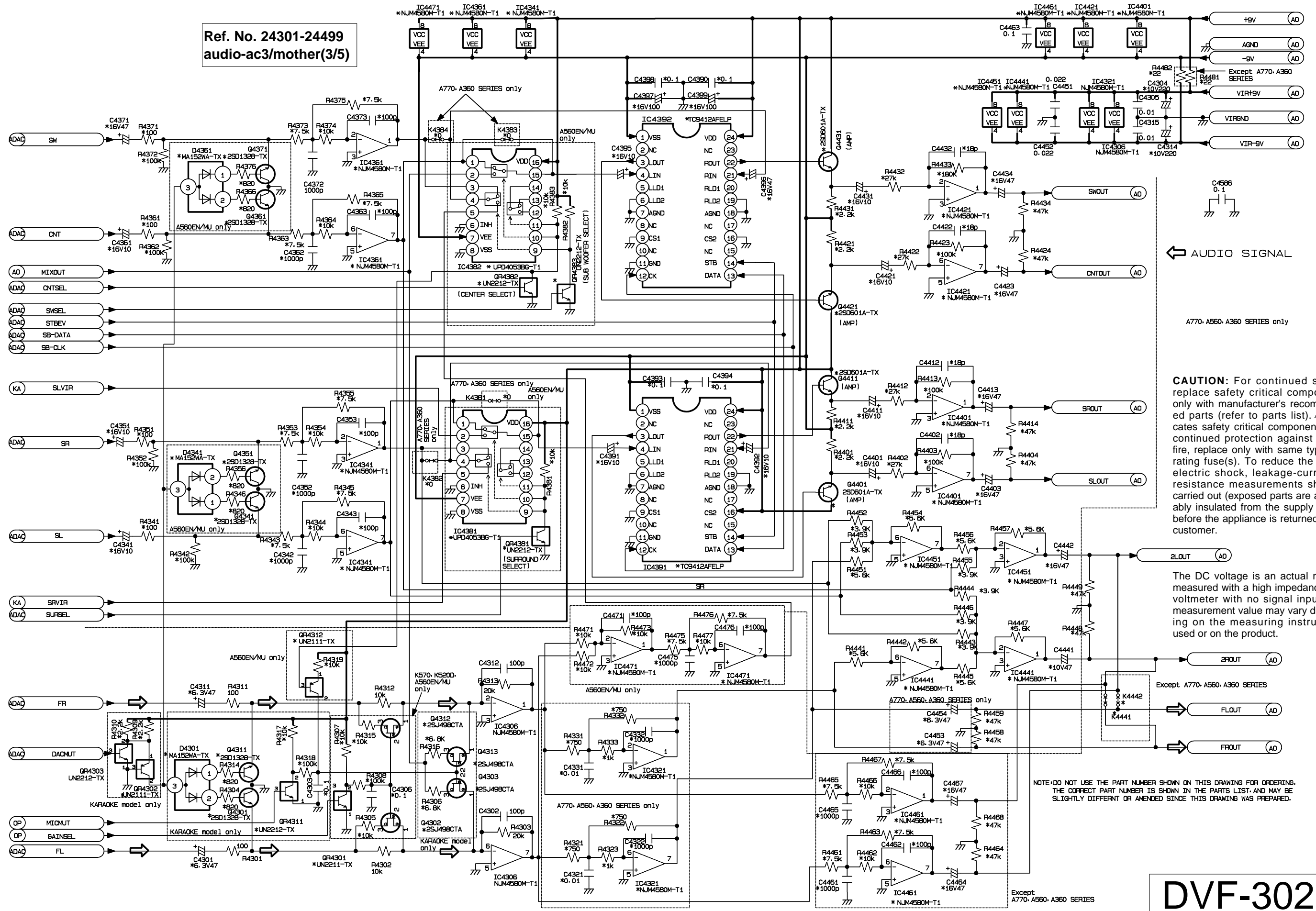
	A770	A360EC/EB	A160	K570-K9200	A560EN/MU	A160EN/MU
R4251						
R4252						
R4253						
R4254						
R4255						
R4256						
R4257						
R4258						
IC4251						
C4251						
R4271, C4271						
R4275						
LB4271						



NOTE: DO NOT USE THE PART NUMBER SHOWN ON THIS DRAWING FOR ORDERING. THE CORRECT PART NUMBER IS SHOWN IN THE PARTS LIST, AND MAY BE SLIGHTLY DIFFERENT OR AMENDED SINCE THIS DRAWING WAS PREPARED.

VOU SECTION : (1/5), ADAC SECTION : (2/5)  
AC3 SECTION : (3/5), AO SECTION : (4/5), OP SECTION : (5/5)

Ref. No. 24301-24499  
audio-ac3/mother(3/5)



AUDIO SIGNAL

A770-A560-A360 SERIES only

**CAUTION:** For continued safety, replace safety critical components only with manufacturer's recommended parts (refer to parts list).  $\Delta$  indicates safety critical components. For continued protection against risk of fire, replace only with same type and rating fuse(s). To reduce the risk of electric shock, leakage-current or resistance measurements shall be carried out (exposed parts are acceptably insulated from the supply circuit) before the appliance is returned to the customer.

The DC voltage is an actual reading measured with a high impedance type voltmeter with no signal input. The measurement value may vary depending on the measuring instruments used or on the product.

Except A770-A560-A360 SERIES

NOTE: DO NOT USE THE PART NUMBER SHOWN ON THIS DRAWING FOR ORDERING. THE CORRECT PART NUMBER IS SHOWN IN THE PARTS LIST AND MAY BE SLIGHTLY DIFFERENT OR AMENDED SINCE THIS DRAWING WAS PREPARED.

Except A770-A560-A360 SERIES

DVF-3020

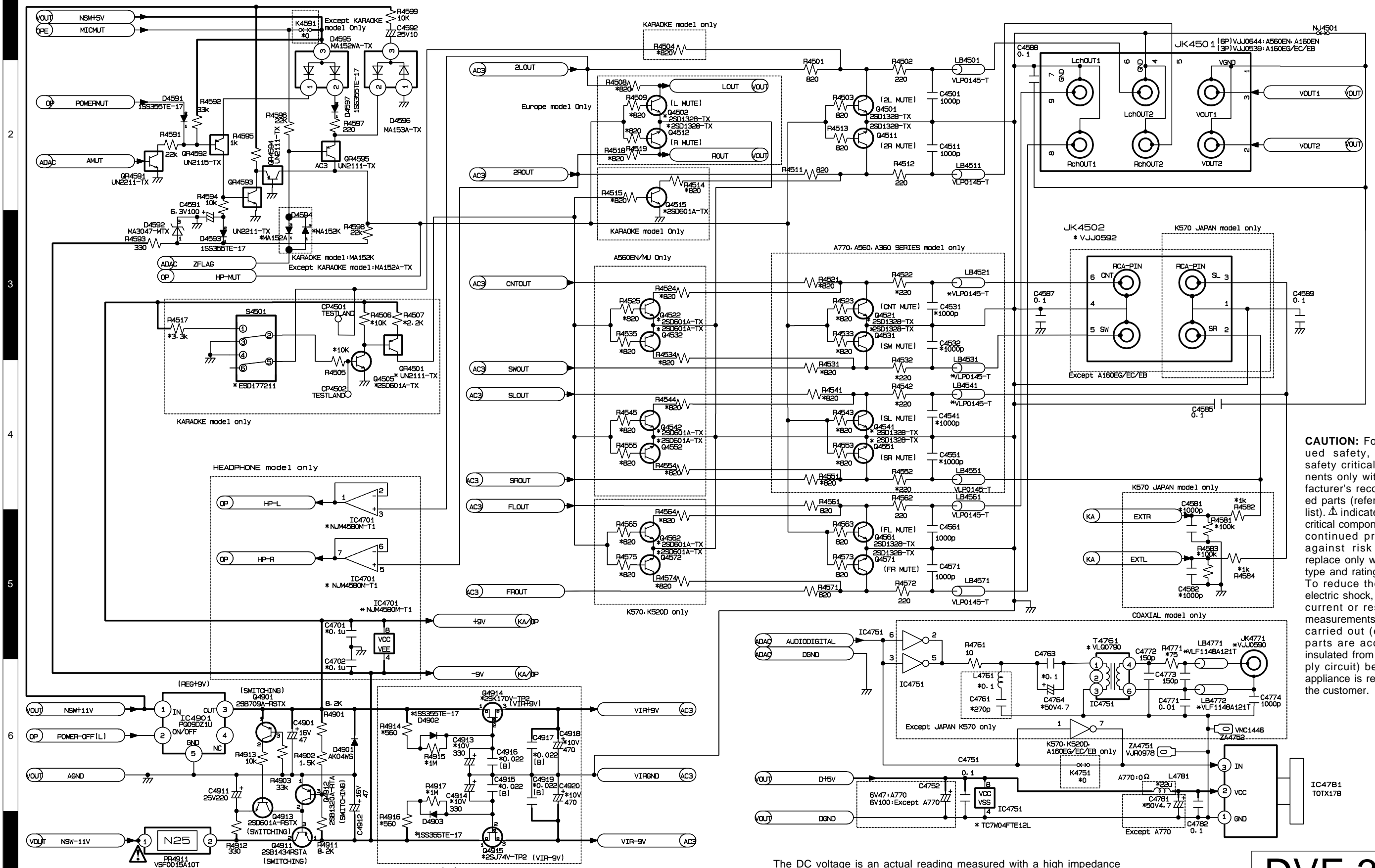
KENWOOD


Ref. No. 24501-24599  
Ref. No. 24701-24799  
Ref. No. 24901-24949  
audio-out/mother(4/5)

VOU SECTION : (1/5), ADAC SECTION : (2/5)  
AC3 SECTION : (3/5), AO SECTION : (4/5), OP SECTION : (5/5)

IMPORTANT SAFETY NOTICE:  
COMPONENTS IDENTIFIED WITH THE MARK  HAVE THE SPECIAL CHARACTERISTICS FOR SAFETY.  
WHEN REPLACING ANY OF THESE COMPONENTS, USE ONLY THE SAME TYPE.

NOTE: DO NOT USE THE PART NUMBER SHOWN ON THIS DRAWING FOR ORDERING.  
THE CORRECT PART NUMBER IS SHOWN IN THE PARTS LIST, AND MAY BE  
SLIGHTLY DIFFERENT OR AMENDED SINCE THIS DRAWING WAS PREPARED.



**CAUTION:** For continued safety, replace safety critical components only with manufacturer's recommended parts (refer to parts list).  indicates safety critical components. For continued protection against risk of fire, replace only with same type and rating fuse(s). To reduce the risk of electric shock, leakage-current or resistance measurements shall be carried out (exposed parts are acceptably insulated from the supply circuit) before the appliance is returned to the customer.

The DC voltage is an actual reading measured with a high impedance type voltmeter with no signal input. The measurement value may vary depending on the measuring instruments used or on the product.

# DVF-3020

Y22-8202-73

## KENWOOD

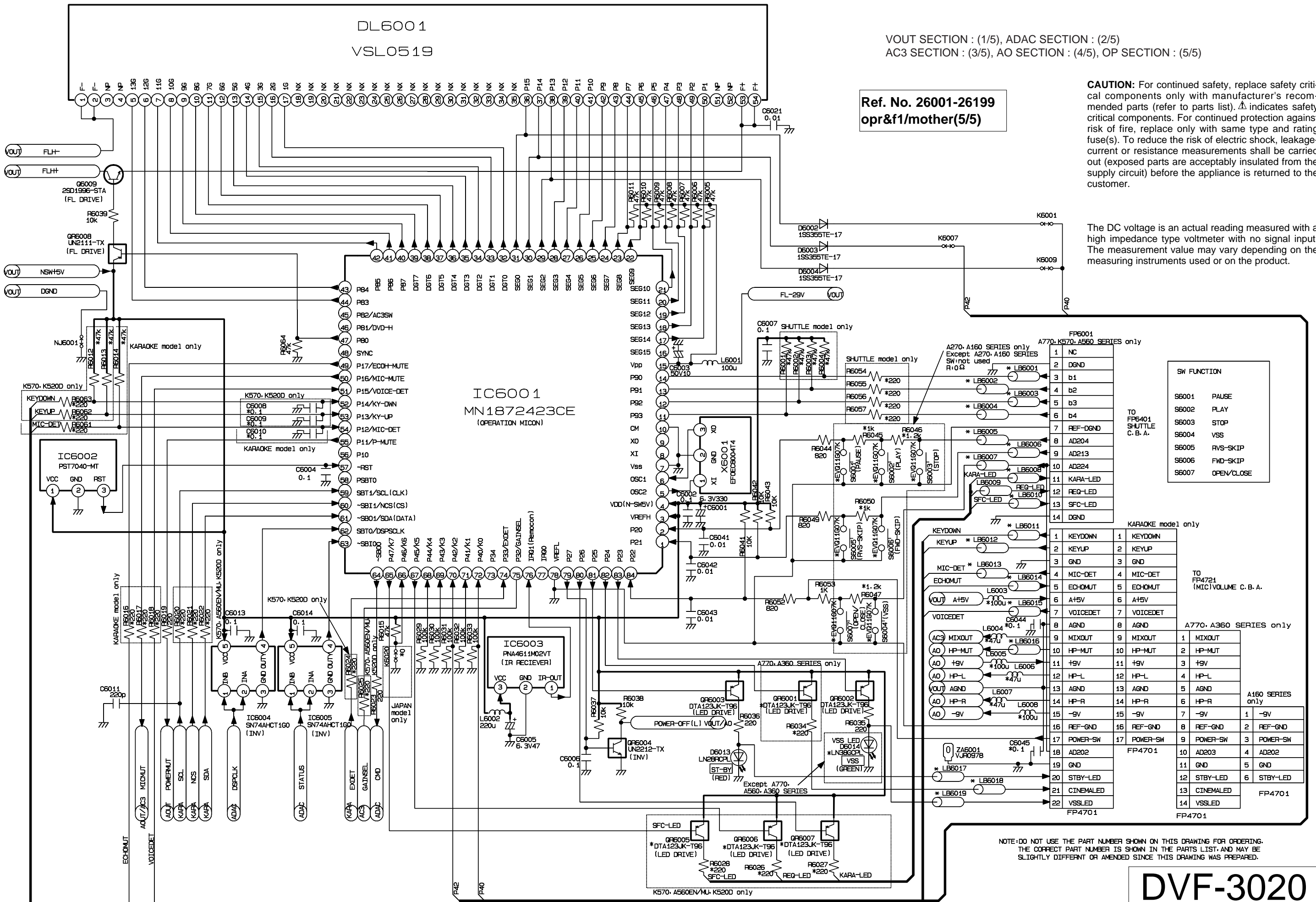
DL6001  
VSL0519

VOUT SECTION : (1/5), ADAC SECTION : (2/5)  
AC3 SECTION : (3/5), AO SECTION : (4/5), OP SECTION : (5/5)

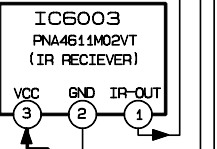
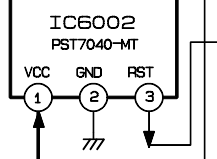
Ref. No. 26001-26199  
opr&f1/mother(5/5)

**CAUTION:** For continued safety, replace safety critical components only with manufacturer's recommended parts (refer to parts list).  $\Delta$  indicates safety critical components. For continued protection against risk of fire, replace only with same type and rating fuse(s). To reduce the risk of electric shock, leakage-current or resistance measurements shall be carried out (exposed parts are acceptably insulated from the supply circuit) before the appliance is returned to the customer.

The DC voltage is an actual reading measured with a high impedance type voltmeter with no signal input. The measurement value may vary depending on the measuring instruments used or on the product.



IC6001  
MN1872423CE  
(OPERATION MICON)



SW FUNCTION

S6001	PAUSE
S6002	PLAY
S6003	STOP
S6004	VSS
S6005	RVS-SKIP
S6006	FWD-SKIP
S6007	OPEN/CLOSE

FP6001		A770: K570, A560 SERIES only	
1	NC	1	NC
2	DGND	2	DGND
3	b1	3	b1
4	b2	4	b2
5	b3	5	b3
6	b4	6	b4
7	REF-DGND	7	REF-DGND
8	AD204	8	AD204
9	AD213	9	AD213
10	AD224	10	AD224
11	KARA-LED	11	KARA-LED
12	REQ-LED	12	REQ-LED
13	SFC-LED	13	SFC-LED
14	DGND	14	DGND
KARAOKE model only		KARAOKE model only	
1	KEYDOWN	1	KEYDOWN
2	KEYUP	2	KEYUP
3	GND	3	GND
4	MIC-DET	4	MIC-DET
5	ECHOMUT	5	ECHOMUT
6	A+5V	6	A+5V
7	VOICEDET	7	VOICEDET
8	AGND	8	AGND
A770, A360 SERIES only		A770, A360 SERIES only	
9	MIXOUT	9	MIXOUT
10	HP-MUT	10	HP-MUT
11	+9V	11	+9V
12	HP-L	12	HP-L
13	AGND	13	AGND
14	HP-R	14	HP-R
15	-9V	15	-9V
16	REF-GND	16	REF-GND
17	POWER-SW	17	POWER-SW
18	AD202	18	AD202
19	GND	19	GND
20	STBY-LED	20	STBY-LED
21	CINEMALED	21	CINEMALED
22	VSSLED	22	VSSLED
FP4701		FP4701	
1	MIXOUT	1	MIXOUT
2	HP-MUT	2	HP-MUT
3	+9V	3	+9V
4	HP-L	4	HP-L
5	AGND	5	AGND
6	HP-R	6	HP-R
7	-9V	7	-9V
8	REF-GND	8	REF-GND
9	POWER-SW	9	POWER-SW
10	AD203	10	AD203
11	GND	11	GND
12	STBY-LED	12	STBY-LED
13	CINEMALED	13	CINEMALED
14	VSSLED	14	VSSLED
FP4701		FP4701	

NOTE: DO NOT USE THE PART NUMBER SHOWN ON THIS DRAWING FOR ORDERING. THE CORRECT PART NUMBER IS SHOWN IN THE PARTS LIST, AND MAY BE SLIGHTLY DIFFERENT OR AMENDED SINCE THIS DRAWING WAS PREPARED.

DVF-3020

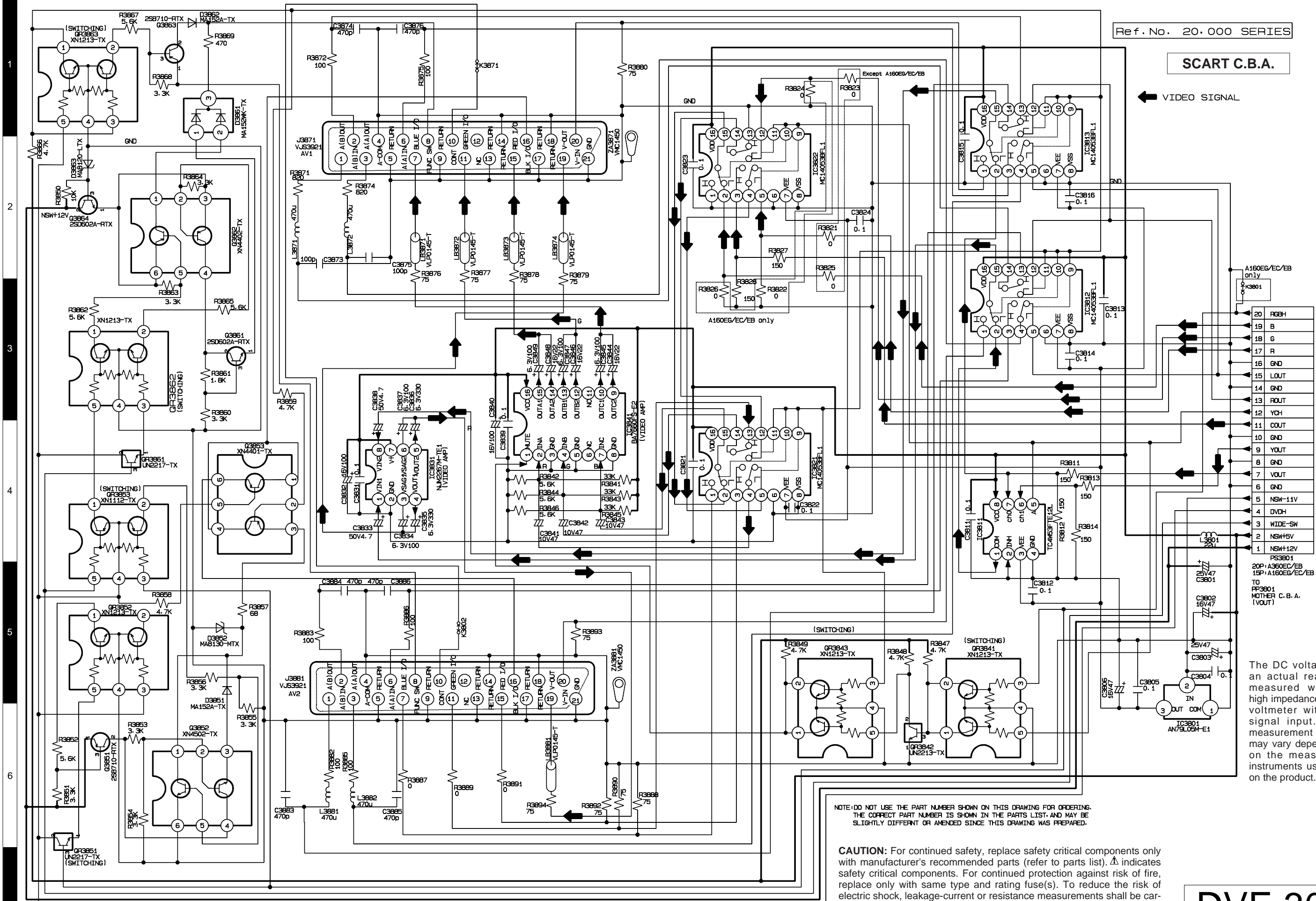
KENWOOD



Ref. No. 20.000 SERIES

SCART C.B.A.

VIDEO SIGNAL



20	RGBH
19	B
18	G
17	R
16	GND
15	LOUT
14	GND
13	ROUT
12	YCH
11	COUT
10	GND
9	YOUT
8	GND
7	VOUT
6	GND
5	NSW+11V
4	DVDH
3	WIDE-SW
2	NSW+5V
1	NSW+12V

PS3801  
 20P: A360E/EC/EB  
 15P: A160E/EC/EB  
 TO  
 PF3801  
 MOTHER C.B.A.  
 (VOUT)

NOTE: DO NOT USE THE PART NUMBER SHOWN ON THIS DRAWING FOR ORDERING. THE CORRECT PART NUMBER IS SHOWN IN THE PARTS LIST AND MAY BE SLIGHTLY DIFFERENT OR AMENDED SINCE THIS DRAWING WAS PREPARED.

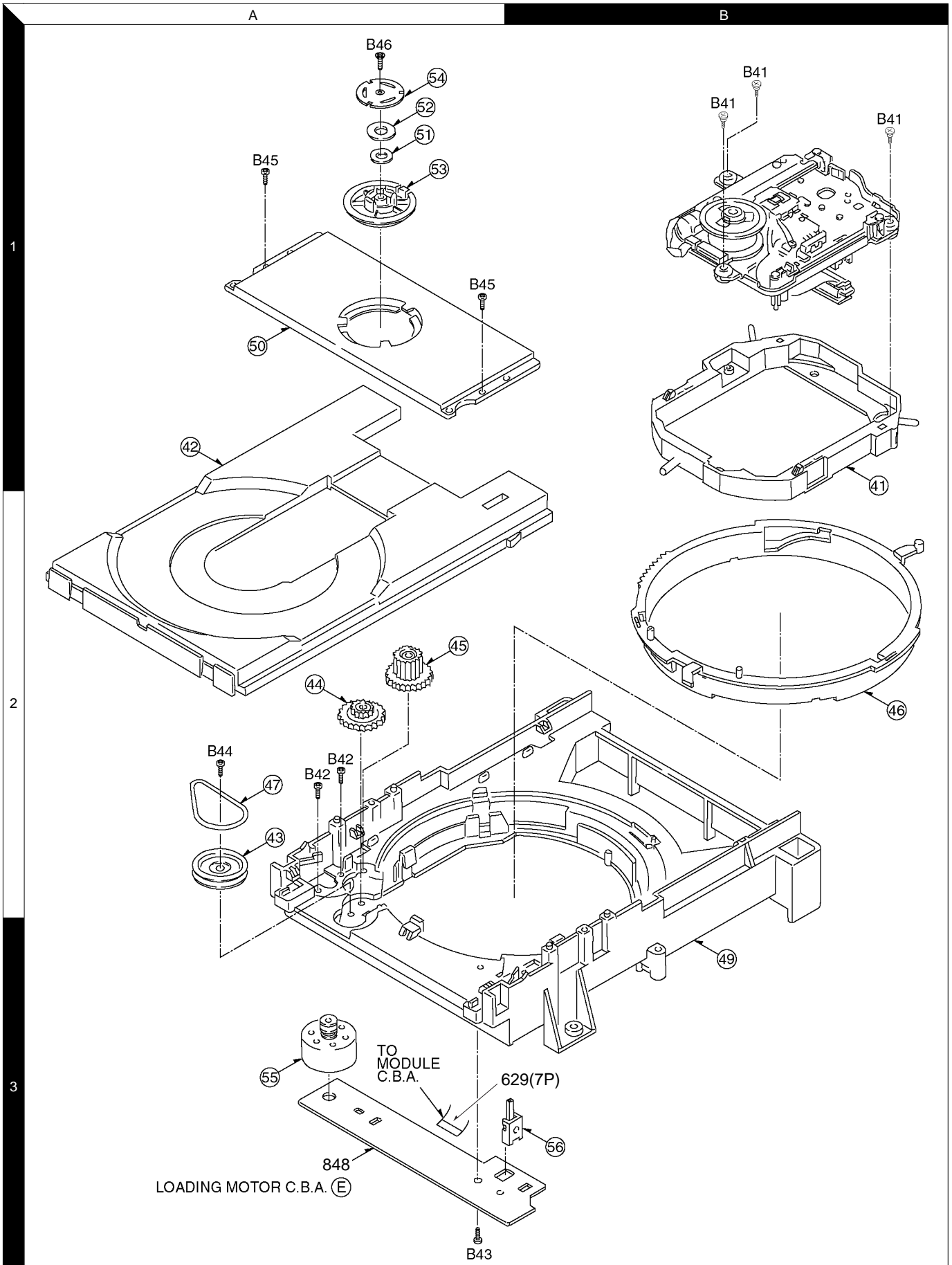
**CAUTION:** For continued safety, replace safety critical components only with manufacturer's recommended parts (refer to parts list). Δ indicates safety critical components. For continued protection against risk of fire, replace only with same type and rating fuse(s). To reduce the risk of electric shock, leakage-current or resistance measurements shall be carried out (exposed parts are acceptably insulated from the supply circuit) before the appliance is returned to the customer.

The DC voltage is an actual reading measured with a high impedance type voltmeter with no signal input. The measurement value may vary depending on the measuring instruments used or on the product.

# DVF-3020

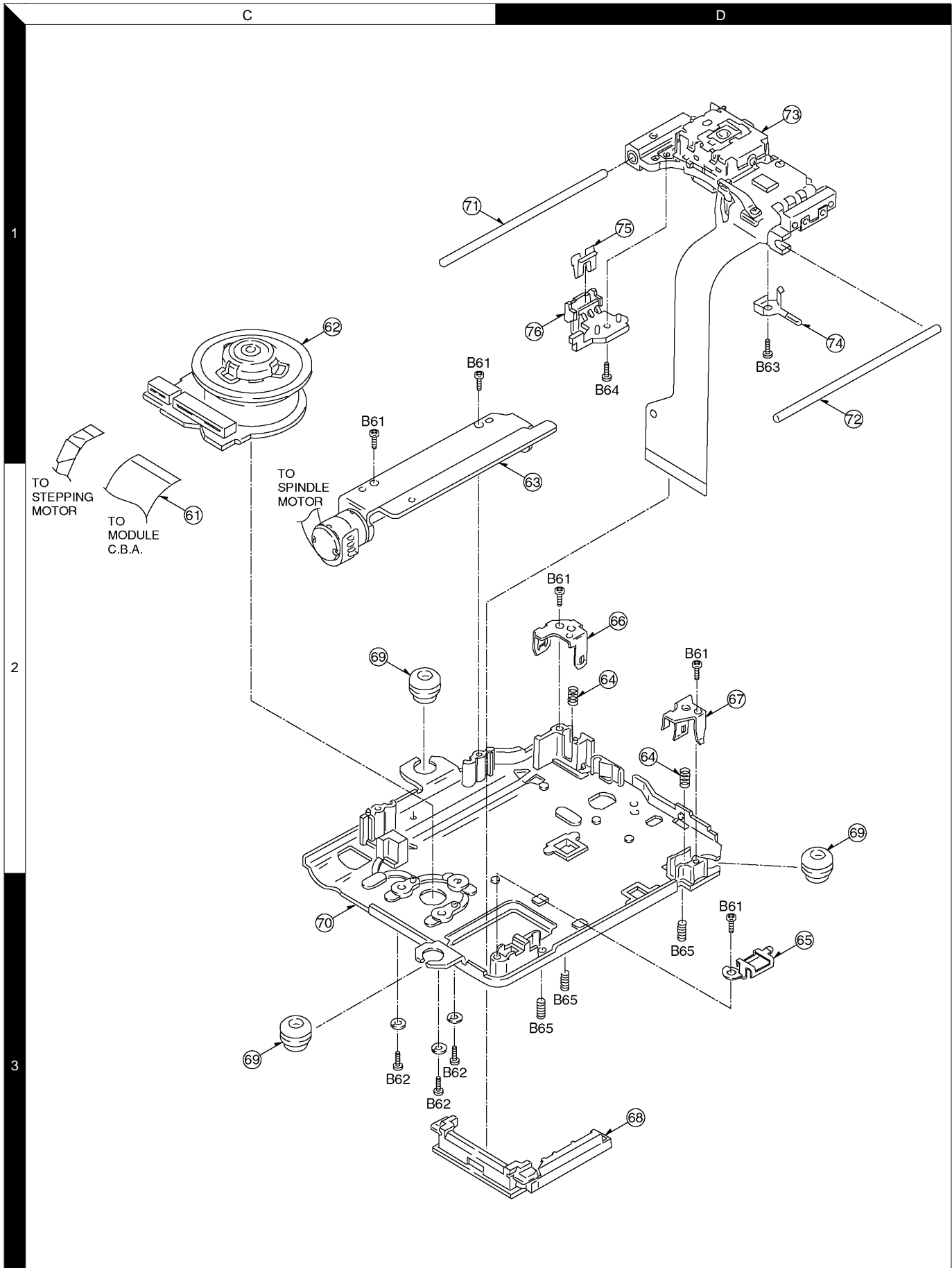
KENWOOD

## EXPLODED VIEW (MECHANISM)

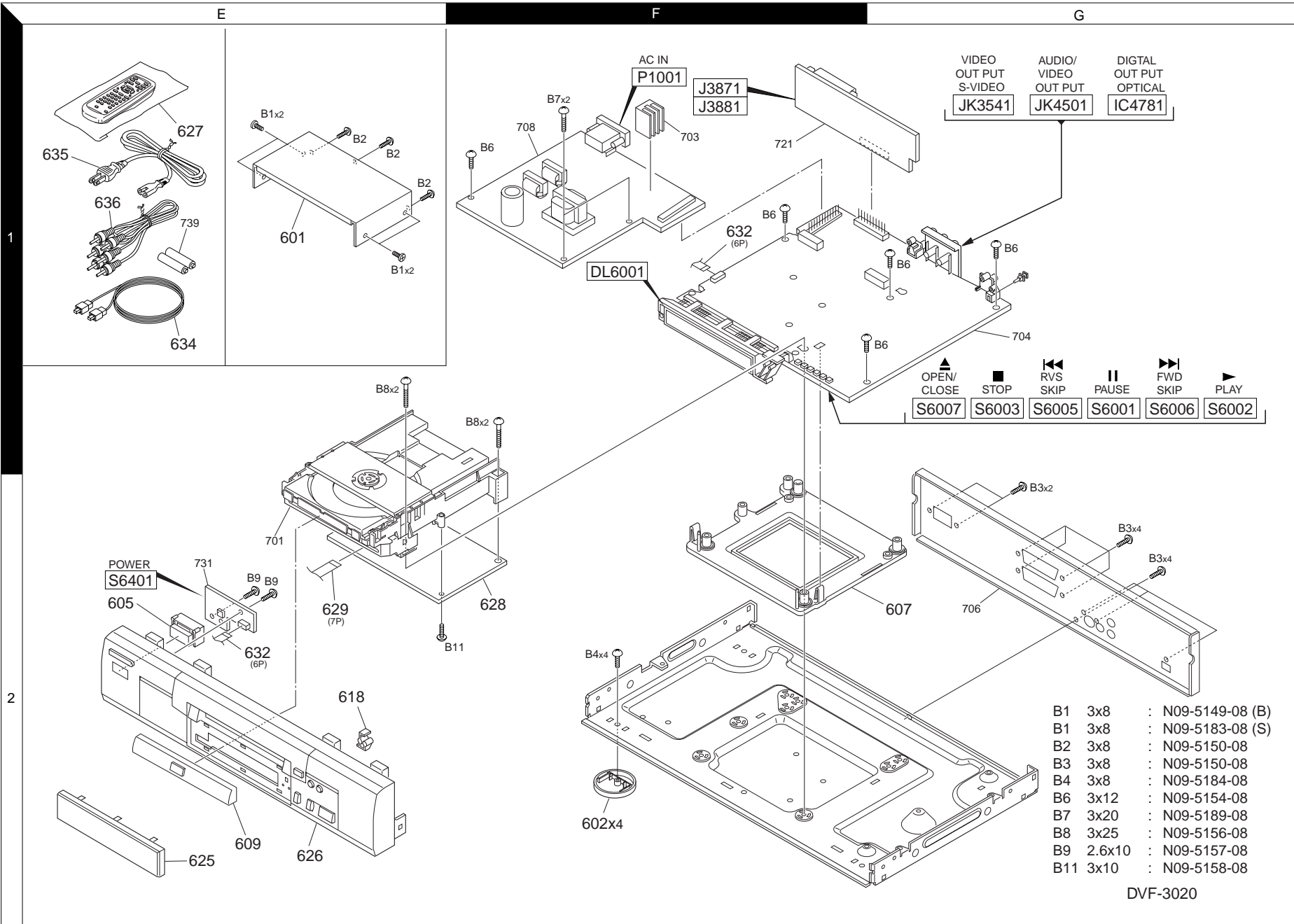


# DVF-3020

## EXPLODED VIEW (MECHANISM)



## EXPLODED VIEW (UNIT)



\* New Parts

Parts without Parts No. are not supplied. Les articles non mentionnes dans le Parts No. ne sont pas fournis. Teile ohne Parts No. werden nicht geliefert.

1

Ref. No	Add-ress	New Parts	Parts No.	Description	Desti-nation	Re-marks
<b>DVF-3020 B : BLACK S : SILVER</b>						
601	1E		A01-3749-08	TOP COVER	VGM1591	B
601	1E		A01-3754-08	TOP COVER	VGM1639	S
602	2F		J02-1468-08	LEG	VYK5504	B
605	2E		K27-2400-08	POWER BUTTON	VGU8288	S
605	2E	*	K27-2407-08	POWER BUTTON	VGU8291	B
607	2G		J30-1405-08	SPACER	VMD3305	B
609	2E	*	A29-1093-08	TRAY TOP	VYF2639	S
609	2E		A29-1094-08	TRAY TOP	VYF2638	B
618	2E		J19-6058-08	HOLDER	VGL0812	B
625	2E		B10-3573-08	FRONT COVER	VKW2709	S
626	2E	*	A60-1836-08	FRONT PANEL	VYP7322	B
626	2E	*	A60-1837-08	FRONT PANEL	VYP7523	S
627	1E		A70-1353-08	REMOTE CONTROL UNIT	VEQ2324	B
628	2F	*	J26-0107-08	MODULE CBA	VEP96541G	S
629	2E		E35-2508-08	LOADING FFC(7P)	VWJ1278	B
632	2E,1F		E35-2509-08	6P FLEX CABLE	VWJ06C9170BB	S
634	1E	*	B19-1615-08	OPTICAL CABLE	VJA1031	B
635	1E		E30-2946-08	AC CORD	VJA0664	S
636	1E		E30-2938-08	A/V CORD	VJA1062	B
-	-	-	B46-0310-03	WARRANTY CARD	-	S
-	-	*	B58-0966-13	CAUTION CARD	-	B
-	-	*	B60-4485-08	OPERATING INSTRUCT.	VQT8380	S
-	-	*	B60-4486-08	OPERATING INSTRUCT.	VQT8381	B
-	-	*	H09-0133-08	ACCESSORY CASE	VPK1891Z	S
-	-	*	H10-7642-08	CUSHION(L)	VPN5241	B
-	-		H10-7643-08	CUSHION(R)	VPN5242	S
-	-	*	H25-1666-08	POLYETHYLENE BAG	VPF0693	B
-	-	*	H50-3693-08	PACKING CASE	VPG0B79	S
-	-	*	H50-3701-08	PACKING CASE	VPG0B80	B
B1	-		N09-5149-08	SCREW	VHD1041	S
B1	-		N09-5183-08	SCREW	VHD1094	B
B2	-		N09-5150-08	SCREW	VHD0690	S
B3	-		N09-5150-08	SCREW	VHD0690	B
B4	-		N09-5184-08	SCREW	XTV3+8GFZ	S
B6	-		N09-5154-08	SCREW	XYE3+EF12	B
B7	-	*	N09-5189-08	SCREW	XYE3+EF20	S
B8	-		N09-5156-08	SCREW	XYE3+EF25	B
B9	-		N09-5157-08	SCREW	XTBS26+10J	S
B11	-		N09-5158-08	SCREW	XTV3+10G	B
<b>ELECTRONICS PARTS</b>						
FL3501			B11-1502-08	FILTER	ELB4K163B	
FL3511			B11-1503-08	FILTER	ELB4K164B	
FL3551		*	L79-1261-08	FILTER	ELB4H079B	
FL6251-54			L92-0087-08	FILTER	ELKE103FA	
C1003			C90-3913-08	MF-C	0.01UF	J
C1005			C90-3914-08	CERAMIC	470PF	J
C1008			C90-3914-08	CERAMIC	470PF	J
C1010			C90-3920-08	CERAMIC	1000P	J
C1011			C90-3913-08	MF-C	0.01UF	J
C1018			C90-3921-08	ELECTRO	68UF	400WV
C1021			CK45FB2H103K	CERAMIC	0.010UF	K
C1022			C90-3871-08	CHIP C	120PF	J

L : Scandinavia K : USA P : Canada R : Mexico C : China I : Malaysia  
Y : PX(Far East,Hawaii) T : England E : Europe G : Germany V : China(Shanghai)  
Y : AAFES(Europe) X : Australia Q : Russia H : Korea M : Other Areas  $\Delta$  indicates safety critical components.

\* New Parts

Parts without Parts No. are not supplied. Les articles non mentionnes dans le Parts No. ne sont pas fournis. Teile ohne Parts No. werden nicht geliefert.

2

Ref. No	Add-ress	New Parts	Parts No.	Description	Desti-nation	Re-marks
C1031			CE04EW1V470M	ELECTRO	47UF	35WV
C1041			CQ93FMG1H103J	MYLAR	0.010UF	J
C1052			CK45FB1H102K	CERAMIC	1000PF	K
C1053			CE04KW0J331M	ELECTRO	330UF	6.3WV
C1101			CQ93FMG1H104J	MYLAR	0.10UF	J
C1111,12			C90-3872-08	ELECTRO	1800UF	10WV
C1114			CE04KW1A222M	ELECTRO	2200UF	10WV
C1115			C90-3873-08	CHIP C	0.01UF	Z
C1116,17			CE04KW1A221M	ELECTRO	220UF	10WV
C1121			CE04KW0J102M	ELECTRO	1000UF	6.3WV
C1131			C90-3874-08	ELECTRO	150UF	35WV
C1133			CE04KW1E330M	ELECTRO	33UF	25WV
C1141			C90-3874-08	ELECTRO	150UF	35WV
C1143			CE04KW1E330M	ELECTRO	33UF	25WV
C1151			C90-3922-08	ELECTRO	390UF	25WV
C1153			CE04KW1E221M	ELECTRO	220UF	25WV
C1154			CE04KW1C221M	ELECTRO	220UF	16WV
C1161			C90-3876-08	ELECTRO	82UF	50WV
C1171			CE04KW1A331M	ELECTRO	330UF	10WV
C2001			CK73FB1A335K	CHIP C	3.3UF	K
C2002-05			CK73GB1C393K	CHIP C	0.039UF	K
C2006			C90-3923-08	ELECTRO	100UF	6.3WV
C2007,08			CK73GB1C104Z	CHIP C	0.10UF	Z
C2009			CC73GCH1H470J	CHIP C	47PF	J
C2010			CK73GB1C104Z	CHIP C	0.10UF	Z
C2012			CC73GCH1H331J	CHIP C	330PF	J
C2015			CC73GCH1H330J	CHIP C	33PF	J
C2016			CK73GB1C104K	CHIP C	0.10UF	K
C2019-21			CK73GB1C104Z	CHIP C	0.10UF	Z
C2022			CK73FB1A335K	CHIP C	3.3UF	K
C2023,24			CK73GB1C104Z	CHIP C	0.10UF	Z
C2025,26			CK73GB1H102K	CHIP C	1000PF	K
C2027			CK73GB1C104Z	CHIP C	0.10UF	Z
C2028			CK73GB1H102K	CHIP C	1000PF	K
C2029			CK73GB1C104Z	CHIP C	0.10UF	Z
C2030			CK73GB1H102K	CHIP C	1000PF	K
C2031			CK73GB1C104Z	CHIP C	0.10UF	Z
C2032,33			CC73GCH1H821J	CHIP C	820PF	J
C2034			CC73GCH1H271J	CHIP C	270PF	J
C2036			CC73GCH1H471J	CHIP C	470PF	J
C2037			CC73GCH1H331J	CHIP C	330PF	J
C2038			CC73GCH1H821J	CHIP C	820PF	J
C2040			CK73GB1H392K	CHIP C	3900PF	K
C2041,42			CK73GB1C104Z	CHIP C	0.10UF	Z
C2043,44			CK73GB1C823K	CHIP C	0.082UF	K
C2045			CK73GB1C104K	CHIP C	0.10UF	K
C2501			C90-3923-08	ELECTRO	100UF	6.3WV
C2502			C90-3885-08	ELECTRO	330UF	6.3WV
C2503-05			CK73GB1H103K	CHIP C	0.010UF	K
C2506			CK73GB1C104Z	CHIP C	0.10UF	Z
C2507,08			CK73GB1C104K	CHIP C	0.10UF	K
C2509			CK73GB1C104Z	CHIP C	0.10UF	Z
C2510-12			CK73GB1C104K	CHIP C	0.10UF	K
C3001,02			C90-3885-08	ELECTRO	330UF	6.3WV
C3003-26			CK73GB1C104Z	CHIP C	0.10UF	Z

L : Scandinavia K : USA P : Canada R : Mexico C : China I : Malaysia  
Y : PX(Far East,Hawaii) T : England E : Europe G : Germany V : China(Shanghai)  
Y : AAFES(Europe) X : Australia Q : Russia H : Korea M : Other Areas  $\Delta$  indicates safety critical components.

\* New Parts  
 Parts without **Parts No.** are not supplied.  
 Les articles non mentionnés dans le **Parts No.** ne sont pas fournis.  
 Teile ohne **Parts No.** werden nicht geliefert.

3

Ref. No	Add-ress	New Parts	Parts No.	Description	Desti-nation	Re-marks
C3031			C90-3885-08	ELECTRO 330UF 6.3WV		
C3032-34			CK73FB1A105K	CHIP C 1.0UF Z		
C3035-43			CK73GB1C104Z	CHIP C 0.10UF Z		
C3044,45			CC73GCH1H220J	CHIP C 22PF J		
C3048			CC73GCH1H220J	CHIP C 22PF J		
C3051-54			CK73GB1C104Z	CHIP C 0.10UF Z		
C3055			C90-3877-08	CHIP TAN 10UF 10WV		
C3056			CK73GB1C104Z	CHIP C 0.10UF Z		
C3061-64			CK73GB1C104Z	CHIP C 0.10UF Z		
C3065			C90-3877-08	CHIP TAN 10UF 10WV		
C3066			CK73GB1C104Z	CHIP C 0.10UF Z		
C3071			C90-3877-08	CHIP TAN 10UF 10WV		
C3072,73			CK73GB1C104Z	CHIP C 0.10UF Z		
C3201			CK73GB1C104Z	CHIP C 0.10UF Z		
C3211			CK73GB1C104Z	CHIP C 0.10UF Z		
C3271,72			CK73GB1C104Z	CHIP C 0.10UF Z		
C3286			C90-3923-08	ELECTRO 100UF 6.3WV		
C3500			CE04KW0J331M	ELECTRO 330UF 6.3WV		
C3501			CE04KW0J221M	ELECTRO 220UF 6.3WV		
C3502			CK73FB1H103Z	CHIP C 0.010UF Z		
C3503			CC73FSL1H150J	CHIP C 15PF J		
C3504-06			CK73FB1H103Z	CHIP C 0.010UF Z		
C3511			CK73FB1H103K	CHIP C 0.010UF K		
C3512-14			CK73FB1H103Z	CHIP C 0.010UF Z		
C3531			CE04KW0J221M	ELECTRO 220UF 6.3WV		
C3532			CK73FB1H103Z	CHIP C 0.010UF Z		
C3533			CE04KW1C470M	ELECTRO 47UF 16WV		
C3534			CK73FB1H103K	CHIP C 0.010UF K		
C3535			CE04KW0J221M	ELECTRO 220UF 6.3WV		
C3536			CK73FB1H103Z	CHIP C 0.010UF Z		
C3537			CE04KW1C100M	ELECTRO 10UF 16WV		
C3538			CE04KW0J102M	ELECTRO 1000UF 6.3WV		
C3539			CE04KW1C100M	ELECTRO 10UF 16WV		
C3540			CE04KW0J102M	ELECTRO 1000UF 6.3WV		
C3541,42			CK73FB1H103K	CHIP C 0.010UF K		
C3549,50			CK73FB1H103Z	CHIP C 0.010UF Z		
C3553			CC73FSL1H150J	CHIP C 15PF J		
C3554			CK73FB1H103Z	CHIP C 0.010UF Z		
C3561			CC73FSL1H150J	CHIP C 15PF J		
C3571			CC73FSL1H150J	CHIP C 15PF J		
C3608			CE04KW0J471M	ELECTRO 470UF 6.3WV		
C3609			CK73FB1H103Z	CHIP C 0.010UF Z		
C3801			CE04KW1E470M	ELECTRO 47UF 25WV		
C3802			CE04KW1C470M	ELECTRO 47UF 16WV		
C3803			CE04KW1E470M	ELECTRO 47UF 25WV		
C3804,05			CK73FB1H104Z	CHIP C 0.10UF Z		
C3806			CE04KW1C470M	ELECTRO 47UF 16WV		
C3811-16			CK73FB1H104Z	CHIP C 0.10UF Z		
C3821-24			CK73FB1H104Z	CHIP C 0.10UF Z		
C3831			CK73FB1H104Z	CHIP C 0.10UF Z		
C3832			CE04KW1C101M	ELECTRO 100UF 16WV		
C3833			CE04KW1H4R7M	ELECTRO 4.7UF 50WV		
C3834			CE04KW0J101M	ELECTRO 100UF 6.3WV		
C3835,36			CE04KW0J331M	ELECTRO 330UF 6.3WV		
C3837			CE04KW0J101M	ELECTRO 100UF 6.3WV		

L : Scandinavia    K : USA    P : Canada    R : Mexico    C : China    I : Malaysia  
 Y : PX(Far East,Hawaii)    T : England    E : Europe    G : Germany    V : China(Shanghai)  
 Y : AAFES(Europe)    X : Australia    Q : Russia    H : Korea    M : Other Areas    ⚠ indicates safety critical components.

\* New Parts  
 Parts without **Parts No.** are not supplied.  
 Les articles non mentionnés dans le **Parts No.** ne sont pas fournis.  
 Teile ohne **Parts No.** werden nicht geliefert.

4

Ref. No	Add-ress	New Parts	Parts No.	Description	Desti-nation	Re-marks
C3838			CE04KW1H4R7M	ELECTRO 4.7UF 50WV		
C3839			CK73FB1H104Z	CHIP C 0.10UF Z		
C3840			CE04KW1C101M	ELECTRO 100UF 16WV		
C3841-43			CE04KW1A470M	ELECTRO 47UF 10WV		
C3844			CE04KW1C220M	ELECTRO 22UF 16WV		
C3845			CE04KW0J101M	ELECTRO 100UF 6.3WV		
C3846			CE04KW1C220M	ELECTRO 22UF 16WV		
C3847			CE04KW0J101M	ELECTRO 100UF 6.3WV		
C3848			CE04KW1C220M	ELECTRO 22UF 16WV		
C3849			CE04KW0J101M	ELECTRO 100UF 6.3WV		
C3871,72			CK73FB1H104Z	CHIP C 0.10UF Z		
C3873			CC73FCH1H101J	CHIP C 100PF J		
C3874			CC73FCH1H471J	CHIP C 470PF J		
C3875			CC73FCH1H101J	CHIP C 100PF J		
C3876			CC73FCH1H471J	CHIP C 470PF J		
C3881,82			CK73FB1H104Z	CHIP C 0.10UF Z		
C3883-86			CC73FCH1H471J	CHIP C 470PF J		
C4201-03			CK73FB1H104Z	CHIP C 0.10UF Z		
C4204			CE04KW1C100M	ELECTRO 10UF 16WV		
C4205			CK73GB1C104Z	CHIP C 0.10UF Z		
C4206			CE04KW0J102M	ELECTRO 1000UF 6.3WV		
C4207			CE04KW1C100M	ELECTRO 10UF 16WV		
C4208			CK73FB1C104Z	CHIP C 0.10UF Z		
C4241			CK73GB1C104Z	CHIP C 0.10UF Z		
C4242			CC73GCH1H390J	CHIP C 39PF J		
C4251			CK73FB1H104Z	CHIP C 0.10UF Z		
C4271-74			CC73FCH1H220J	CHIP C 22PF J		
C4275			CK73FB1H104Z	CHIP C 0.10UF Z		
C4276			CC73FCH1H470J	CHIP C 47PF J		
C4277			CK73FB1H104Z	CHIP C 0.10UF Z		
C4281			CK73FB1H104Z	CHIP C 0.10UF Z		
C4301			CE04EW0J470M	ELECTRO 47UF 6.3WV		
C4302			C90-3878-08	100PF J		
C4304			CE04KW1A221M	ELECTRO 220UF 10WV		
C4305			CK73FB1H103Z	CHIP C 0.010UF Z		
C4311			CE04EW0J470M	ELECTRO 47UF 6.3WV		
C4312			C90-3878-08	CHIP C 100PF J		
C4314			CE04KW1A221M	ELECTRO 220UF 10WV		
C4315			CK73FB1H103Z	CHIP C 0.010UF Z		
C4451,52			CQ93FMG1H223J	MYLAR 0.022UF J		
C4461			CK73FB1H102J	CHIP C 1000PF J		
C4462			CC73FCH1H101J	CHIP C 100PF J		
C4463			CK73FB1H104Z	CHIP C 0.10UF Z		
C4464			CE04KW1C470M	ELECTRO 47UF 16WV		
C4465			CK73FB1H102J	CHIP C 1000PF J		
C4466			CC73FCH1H101J	CHIP C 100PF J		
C4467			CE04KW1C470M	ELECTRO 47UF 16WV		
C4501			CK73FB1H102J	CHIP C 1000PF J		
C4511			CK73FB1H102J	CHIP C 1000PF J		
C4585-89			CK73FB1H104Z	CHIP C 0.10UF Z		
C4591			CE04KW0J101M	ELECTRO 100UF 6.3WV		
C4592			CE04KW1E100M	ELECTRO 10UF 25WV		
C4701,02			CK73FB1H104Z	CHIP C 0.10UF Z		
C4751			CK73FB1H104Z	CHIP C 0.10UF Z		
C4752			CE04KW0J101M	ELECTRO 100UF 6.3WV		

L : Scandinavia    K : USA    P : Canada    R : Mexico    C : China    I : Malaysia  
 Y : PX(Far East,Hawaii)    T : England    E : Europe    G : Germany    V : China(Shanghai)  
 Y : AAFES(Europe)    X : Australia    Q : Russia    H : Korea    M : Other Areas    ⚠ indicates safety critical components.

PARTS LIST

DVF-3020

\* New Parts  
Parts without **Parts No.** are not supplied.  
Les articles non mentionnés dans le **Parts No.** ne sont pas fournis.  
Teile ohne **Parts No.** werden nicht geliefert.

5

Ref. No	Add-ress	New Parts	Parts No.	Description	Desti-nation	Re-marks
C4781			CE04KW1H4R7M	ELECTRO	4.7UF	50WV
C4782			CK73FB1H104Z	CHIP C	0.10UF	Z
C4901			CE04KW1C470M	ELECTRO	47UF	16WV
C4911			CE04KW1E221M	ELECTRO	220UF	25WV
C4912			CE04KW1C470M	ELECTRO	47UF	16WV
C5201			C90-3924-08	ELECTRO	47UF	6.3WV
C5202			C90-3877-08	CHIP TAN	10UF	10WV
C5203-06			CK73GB1C104K	CHIP C	0.10UF	K
C5207			C90-3925-08	ELECTRO	10UF	16WV
C5208			C90-3879-08	CHIP TAN	10UF	16WV
C5209			CC73GCH1H101J	CHIP C	100PF	J
C5210			CK73GB1C104K	CHIP C	0.10UF	K
C5211			CC73GCH1H560J	CHIP C	56PF	J
C5212			CC73GCH1H101J	CHIP C	100PF	J
C5213			CK73GB1C104K	CHIP C	0.10UF	K
C5214			C90-3880-08	CHIP C	0.18UF	K
C5215			CK73GB1C104K	CHIP C	0.10UF	K
C5216			CK73GB1C104Z	CHIP C	0.10UF	Z
C5217			CK73GB1A224K	CHIP C	0.22UF	K
C5218,19			CK73GB1C104K	CHIP C	0.10UF	K
C5220			CK73GB1H222K	CHIP C	2200PF	K
C5221			CK73GB1H392K	CHIP C	3900PF	K
C5222			CK73GB1C104K	CHIP C	0.10UF	K
C5223			CC73GCH1H820J	CHIP C	82PF	J
C5224			CK73GB1C104K	CHIP C	0.10UF	K
C5225			CK73GB1C104Z	CHIP C	0.10UF	Z
C5226			CK73GB1C104K	CHIP C	0.10UF	K
C5227,28			CK73GB1H104Z	CHIP C	0.10UF	Z
C5229			C90-3881-08	CHIP C	220PF	J
C5230			CK73GB1C104K	CHIP C	0.10UF	K
C5231			CK73FB1A335K	CHIP C	3.3UF	K
C5232			C90-3882-08	ELECTRO	33UF	6.3WV
C5233			C90-3883-08	CHIP C	0.33UF	K
C5234			C90-3882-08	ELECTRO	33UF	6.3WV
C5235			CK73FB1A335K	CHIP C	3.3UF	K
C5236			CK73GB1C104K	CHIP C	0.10UF	K
C5237			CC73GCH1H102K	CHIP C	1000PF	K
C5238			CK73GB1A224K	CHIP C	0.22UF	K
C5239-41			CK73GB1C104Z	CHIP C	0.10UF	Z
C5242			CC73GCH1H121J	CHIP C	120PF	J
C5243,44			C90-3881-08	CHIP C	220PF	J
C5245,46			CK73GB1C104K	CHIP C	0.10UF	K
C5247,48			CK73GB1C104Z	CHIP C	0.10UF	Z
C5249			C90-3884-08	CHIP C	680PF	J
C6001			CE04EWOJ331M	ELECTRO	330UF	6.3WV
C6002			CK73FB1H104Z	CHIP C	0.10UF	Z
C6003			CE04KW1H100M	ELECTRO	10UF	50WV
C6004			CK73FB1H104Z	CHIP C	0.10UF	Z
C6005			CE04KWQJ470M	ELECTRO	47UF	6.3WV
C6006-10			CK73FB1H104Z	CHIP C	0.10UF	Z
C6011			CC73FCH1H221J	CHIP C	220PF	J
C6013,14			CK73FB1H104Z	CHIP C	0.10UF	Z
C6021			CK73FB1H103Z	CHIP C	0.010UF	Z
C6041-43			CK73FB1H103Z	CHIP C	0.010UF	Z
C6044,45			CK73FB1H104Z	CHIP C	0.10UF	Z

L : Scandinavia    K : USA    P : Canada    R : Mexico    C : China    I : Malaysia  
Y : PX(Far East,Hawaii)    T : England    E : Europe    G : Germany    V : China(Shanghai)  
Y : AAFES(Europe)    X : Australia    Q : Russia    H : Korea    M : Other Areas    ⚠ indicates safety critical components .

\* New Parts  
Parts without **Parts No.** are not supplied.  
Les articles non mentionnés dans le **Parts No.** ne sont pas fournis.  
Teile ohne **Parts No.** werden nicht geliefert.

6

Ref. No	Add-ress	New Parts	Parts No.	Description	Desti-nation	Re-marks
C6201,02			CK73GB1C104Z	CHIP C	0.10UF	Z
C6203			C90-3882-08	ELECTRO	33UF	6.3WV
C6204-07			CK73GB1C104Z	CHIP C	0.10UF	Z
C6251			CK73GB1C104Z	CHIP C	0.10UF	Z
C6252			C90-3882-08	ELECTRO	33UF	6.3WV
C6253			C90-3923-08	ELECTRO	100UF	6.3WV
C6254			C90-3885-08	ELECTRO	330UF	6.3WV
C6255			CK73GB1H103K	CHIP C	0.010UF	K
C6301			CC73GCH1H101J	CHIP C	100PF	J
C6302			CK73GB1C104K	CHIP C	0.10UF	K
C6303,04			CK73GB1C104Z	CHIP C	0.10UF	Z
C6501			C90-3882-08	ELECTRO	33UF	6.3WV
C6502-05			CK73GB1C104Z	CHIP C	0.10UF	Z
C6506			C90-3877-08	CHIP TAN	10UF	10WV
C6507			CK73GB1C104Z	CHIP C	0.10UF	Z
C6511			CK73GB1C104Z	CHIP C	0.10UF	Z
C6512			C90-3877-08	CHIP TAN	10UF	10WV
C6513			CK73GB1C104Z	CHIP C	0.10UF	Z
C6514			C90-3882-08	ELECTRO	33UF	6.3WV
C6521,22			CK73GB1C104Z	CHIP C	0.10UF	Z
C6541,42			CC73GCH1H120J	CHIP C	12PF	J
C6544			CK73GB1C104Z	CHIP C	0.10UF	Z
C6564,65			CK73GB1C104Z	CHIP C	0.10UF	Z
C6584,85			CK73GB1C104Z	CHIP C	0.10UF	Z
C6601			CK73GB1C104Z	CHIP C	0.10UF	Z
C7001,02			C90-3923-08	ELECTRO	100UF	6.3WV
C7003-19			CK73GB1C104Z	CHIP C	0.10UF	Z
C7020			C90-3888-08	CHIP C	0.01UF	Z
C7301,02			CK73GB1C104Z	CHIP C	0.10UF	Z
FP2501			E40-8545-08	CONNECTOR 7P	VJS4241B007W	
FP2511			E40-8545-08	CONNECTOR 7P	VJS4241B007W	
FP2601			E40-8545-08	CONNECTOR 7P	VJS4241B007W	
FP4701			E40-8547-08	CONNECTOR 6P	VJS3537A006G	
FP5201			E40-8592-08	CONNECTOR 21P	VJS3913A021	
FP6401			E40-8547-08	CONNECTOR 6P	VJS3537A006G	
J3871			E40-8598-08	CONNECTOR 21P	VJS3921	
J3881			E40-8598-08	CONNECTOR 21P	VJS3921	
JK3541			E40-8534-08	Y/C CONNECTOR-1	VJJ0544	
JK4501			E63-1134-08	RCA JACK (6P)	VJJ0644	
⚠ P1001			E40-8593-08	CONNECTOR (FL)	VJS3166	
⚠ PP1101			E40-8536-08	CONNECTOR (ML)18P	VJP4223E018B	
⚠ PP3201			E40-8594-08	CONNECTOR (ML)26P	VJP4222E026B	
⚠ PP3801		*	E40-8615-08	CONNECTOR 15P	VJP3042G015W	
⚠ PP4201			E40-8594-08	CONNECTOR (ML)26P	VJP4222E026B	
⚠ PS1101			E40-8538-08	CONNECTOR (FL)18P	VJS4223A018T	
⚠ PS3201		*	E40-8597-08	CONNECTOR (FL)26P	VJS4222A026B	
⚠ PS3801			E40-8616-08	CONNECTOR 15P	VJS0342F015W	
⚠ PS4201			E40-8597-08	CONNECTOR (FL)26P	VJS4222A026B	
⚠ PS6201			E40-8540-08	CONNECTOR (FL)10P	VJS2961A010	
⚠ F1001			F50-0167-08	FUSE	XBA2C16TB0	
⚠ PR1161			F09-0147-08	IC PROTECTOR	VSF0015A025	
⚠ PR1171			F50-0163-08	IC PROTECTOR	VSF0015A10	
⚠ PR4911			F50-0163-08	IC PROTECTOR	VSF0015A10	
⚠ L1001,02			L79-1257-08	LINE FILTER	ELF15N005A	

L : Scandinavia    K : USA    P : Canada    R : Mexico    C : China    I : Malaysia  
Y : PX(Far East,Hawaii)    T : England    E : Europe    G : Germany    V : China(Shanghai)  
Y : AAFES(Europe)    X : Australia    Q : Russia    H : Korea    M : Other Areas    ⚠ indicates safety critical components .

\* New Parts

Parts without **Parts No.** are not supplied.  
Les articles non mentionnés dans le **Parts No.** ne sont pas fournis.  
Teile ohne **Parts No.** werden nicht geliefert.

7

Ref. No	Add-ress	New Parts	Parts No.	Description	Desti-nation	Re-marks
L1111			L90-0349-08	COIL		
L1112			L33-0595-08	INDUCTOR		
L1131			L90-0333-08	COIL		
L1141			L90-0333-08	COIL		
L1151			L90-0350-08	COIL		
L2001,02			L33-0572-08	COIL		
L3281			L33-0572-08	COIL		
L3501			L90-0336-08	INDUCTOR		
L3531,32			L90-0336-08	INDUCTOR		
L3801			L90-0336-08	INDUCTOR		
L3871,72			L90-0347-08	COIL		
L3881,82			L90-0347-08	COIL		
L4201			L90-0351-08	COIL		
L4781			L90-0336-08	COIL		
L5201,02			L33-0572-08	COIL		
L6001			L90-0351-08	COIL		
L6002			L90-0352-08	COIL		
L6501,02			L90-0348-08	COIL		
L7001			L33-0572-08	COIL		
LB1021,22			L90-0339-08	COIL		
LB1024			L90-0340-08	COIL		
LB2501-08			L90-0341-08	CHIP INDUCTOR		
LB2509-13			L90-0342-08	COIL		
LB2514-17			L90-0341-08	CHIP INDUCTOR		
LB2518-21			L90-0342-08	COIL		
LB3001			L92-0084-08	COIL		
LB3201,02			L90-0341-08	CHIP INDUCTOR		
LB3206,07			L90-0341-08	CHIP INDUCTOR		
LB3209			L90-0341-08	CHIP INDUCTOR		
LB3543,44			L90-0343-08	COIL		
LB3546			L90-0343-08	COIL		
LB3871-74			L90-0343-08	COIL		
LB3881			L90-0343-08	COIL		
LB4001-03			L92-0084-08	COIL		
LB4006-08			L90-0341-08	CHIP INDUCTOR		
LB4010,11			L90-0341-08	CHIP INDUCTOR		
LB4013,14			L90-0341-08	CHIP INDUCTOR		
LB4016-19			L90-0341-08	CHIP INDUCTOR		
LB4241			L90-0354-08	COIL		
LB4501			L90-0343-08	COIL		
LB4511			L90-0343-08	COIL		
LB5201,02			L90-0341-08	CHIP INDUCTOR		
LB5203			L90-0342-08	COIL		
LB5204-10			L90-0341-08	CHIP INDUCTOR		
LB5211			L90-0342-08	COIL		
LB5212-14			L90-0341-08	CHIP INDUCTOR		
LB5215			L90-0342-08	COIL		
LB5216			L90-0341-08	CHIP INDUCTOR		
LB5217			L90-0342-08	COIL		
LB5218			L90-0341-08	CHIP INDUCTOR		
LB5219			L90-0342-08	COIL		
LB6017			L90-0354-08	COIL		
LB6213			L92-0084-08	COIL		
LB6501,02			L90-0341-08	CHIP INDUCTOR		
LB6504			L92-0084-08	COIL		

L : Scandinavia K : USA P : Canada R : Mexico C : China I : Malaysia  
 Y : PX(Far East,Hawaii) T : England E : Europe G : Germany V : China(Shanghai)  
 Y : AAFES(Europe) X : Australia Q : Russia H : Korea M : Other Areas  $\Delta$  indicates safety critical components.

\* New Parts

Parts without **Parts No.** are not supplied.  
Les articles non mentionnés dans le **Parts No.** ne sont pas fournis.  
Teile ohne **Parts No.** werden nicht geliefert.

8

Ref. No	Add-ress	New Parts	Parts No.	Description	Desti-nation	Re-marks
LB6511			L90-0341-08	CHIP INDUCTOR		
LB6521			L90-0341-08	CHIP INDUCTOR		
LB6522			L92-0084-08	COIL		
LB6523			L90-0341-08	CHIP INDUCTOR		
LB6525,26			L92-0084-08	COIL		
LB6542			L90-0341-08	CHIP INDUCTOR		
LB6543			L92-0084-08	COIL		
LB6562			L90-0341-08	CHIP INDUCTOR		
LB6563,64			L92-0084-08	COIL		
LB6565			L90-0341-08	CHIP INDUCTOR		
LB6582			L92-0084-08	COIL		
LB6583			L90-0314-08	COIL		
LB6584			L92-0084-08	COIL		
LB6585			L90-0314-08	COIL		
LB6586			L92-0084-08	COIL		
T1021			L07-2856-08	POWER TRSNSFORMER,ETS29AD4H6AC		
X6001			L78-0710-08	CERAMIC OSCILLATOR,EF0EC8004A4		
X6501			L77-2280-08	CRYSTAL OSCILLATOR,VSX1044		
K3201			RK73GB1J000J	CHIP R	0.0	J 1/16W
K3203			RK73GB1J000J	CHIP R	0.0	J 1/16W
K3801,02			RK73FB2A000J	CHIP R	0.0	J 1/10W
K3871			RK73FB2A000J	CHIP R	0.0	J 1/10W
K4201			RK73FB2A000J	CHIP R	0.0	J 1/10W
K4232			RK73FB2A000J	CHIP R	0.0	J 1/10W
K4241			RK73FB2A000J	CHIP R	0.0	J 1/10W
K4591			RK73FB2A000J	CHIP R	0.0	J 1/10W
K4751			RK73FB2A000J	CHIP R	0.0	J 1/10W
K5201-05			RK73GB1J000J	CHIP R	0.0	J 1/16W
K6003			RK73FB2A000J	CHIP R	0.0	J 1/10W
K6008			RK73FB2A000J	CHIP R	0.0	J 1/10W
K6015			RK73FB2A000J	CHIP R	0.0	J 1/10W
K6021,22			RK73FB2A000J	CHIP R	0.0	J 1/10W
K6023			RK73FB2A000J	CHIP R	0.0	J 1/10W
K6541,2			RK73GB1J000J	CHIP R	0.0	J 1/16W
K7002			RK73GB1J000J	CHIP R	0.0	J 1/16W
L2501			R90-1308-08	CHIP R	0.0	J 1/4W
L3001			R90-1308-08	CHIP R	0.0	J 1/4W
L6201			R90-1308-08	CHIP R	0.0	J 1/4W
L7002			R90-1308-08	CHIP R	0.0	J 1/4W
R1002			RD14BB2H334K	RD	330K	K 1/2W
R1021			R92-1930-08	METAL FILM	39K	J 1W
R1023			R92-1931-08	METAL FILM	0.82	J 1W
R1033			RD14BB2H100J	RD	10	J 1/2W
R1055			R92-1932-08	RD	3.9M	J 1/2W
R1056			RD14BB2H475J	RD	4.7M	J 1/2W
R2001			RK73GB1J103J	CHIP R	10K	J 1/16W
R2003			RK73GB1J223J	CHIP R	22K	J 1/16W
R2004			RK73GB1J123J	CHIP R	12K	J 1/16W
R2005			RK73GB1J183J	CHIP R	18K	J 1/16W
R2006			RK73GB1J822J	CHIP R	8.2K	J 1/16W
R2008-10			RK73GB1J473J	CHIP R	47K	J 1/16W
R2011			R90-0996-08	RADDER RESISTOR,EXBV4V473J		
R2012			RK73GB1J472J	CHIP R	4.7K	J 1/16W
R2014			RK73GB1J472J	CHIP R	4.7K	J 1/16W

L : Scandinavia K : USA P : Canada R : Mexico C : China I : Malaysia  
 Y : PX(Far East,Hawaii) T : England E : Europe G : Germany V : China(Shanghai)  
 Y : AAFES(Europe) X : Australia Q : Russia H : Korea M : Other Areas  $\Delta$  indicates safety critical components.

PARTS LIST

DVF-3020



\* New Parts  
Parts without **Parts No.** are not supplied.  
Les articles non mentionnés dans le **Parts No.** ne sont pas fournis.  
Teile ohne **Parts No.** werden nicht geliefert.

9

Ref. No	Add-ress	New Parts	Parts No.	Description	Desti-nation	Re-marks
R2016			RK73GB1J102J	CHIP R 1.0K J 1/16W		
R2018			R90-1307-08	RADDER RESISTOR,EXBV8VR000		
R2019			RK73GB1J000J	CHIP R 0.0 J 1/16W		
R2020-23			RK73GB1J103J	CHIP R 10K J 1/16W		
R2024			RK73GB1J333J	CHIP R 33K J 1/16W		
R2025			RK73GB1J223J	CHIP R 22K J 1/16W		
R2026			RK73GB1J000J	CHIP R 0.0 J 1/16W		
R2027			RK73GB1J123J	CHIP R 12K J 1/16W		
R2028			RK73GB1J473J	CHIP R 47K J 1/16W		
R2029,30			RK73GB1J103J	CHIP R 10K J 1/16W		
R2031			RK73GB1J683J	CHIP R 68K J 1/16W		
R2032			RK73GB1J103J	CHIP R 10K J 1/16W		
R2033			RK73GB1J000J	CHIP R 0.0 J 1/16W		
R2034			RK73GB1J103J	CHIP R 10K J 1/16W		
R2035			RK73GB1J333J	CHIP R 33K J 1/16W		
R2036,37			RK73GB1J103J	CHIP R 10K J 1/16W		
R2038			RK73GB1J683J	CHIP R 68K J 1/16W		
R2039			RK73GB1J362J	CHIP R 3.6K J 1/16W		
R2501			RK73GB1J473J	CHIP R 47K J 1/16W		
R2502,03			RK73GB1J183J	CHIP R 18K J 1/16W		
R2504-06			RK73GB1J103J	CHIP R 10K J 1/16W		
R2507,08			RK73GB1J123J	CHIP R 12K J 1/16W		
R2509			RK73GB1J273J	CHIP R 27K J 1/16W		
R2510,11			RK73GB1J271J	CHIP R 27K J 1/16W		
R2512			RK73GB1J273J	CHIP R 27K J 1/16W		
R2513			RK73GB1J103J	CHIP R 10K J 1/16W		
R2515			R92-1933-08	RD 0.39 J 1/4W		
R2516,17			RK73GB1J123J	CHIP R 12K J 1/16W		
R2518,19			RK73GB1J243J	CHIP R 24K J 1/16W		
R2520			RK73GB1J562J	CHIP R 5.6K J 1/16W		
R2521			RK73GB1J563J	CHIP R 5.6K J 1/16W		
R2522-24			RK73GB1J103J	CHIP R 10K J 1/16W		
R3001			RK73GB1J220J	CHIP R 22 J 1/16W		
R3002			RK73GB1J000J	CHIP R 0.0 J 1/16W		
R3003			RK73GB1J392J	CHIP R 3.9K J 1/16W		
R3005			RK73GB1J103J	CHIP R 10K J 1/16W		
R3006			RK73GB1J473J	CHIP R 47K J 1/16W		
R3008			RK73GB1J473J	CHIP R 47K J 1/16W		
R3009,10			RK73GB1J221J	CHIP R 220 J 1/16W		
R3013			RK73GB1J221J	CHIP R 220 J 1/16W		
R3031,32			RK73GB1J752J	CHIP R 7.5K J 1/16W		
R3033			RK73GB1J684J	CHIP R 680K J 1/16W		
R3035-38			RK73GB1J102J	CHIP R 1.0K J 1/16W		
R3039,40			RK73GB1J102J	CHIP R 1.0K J 1/16W		
R3201			RK73GB1J750J	CHIP R 75 J 1/16W		
R3202			RK73GB1J330J	CHIP R 33 J 1/16W		
R3203			RK73GB1J102J	CHIP R 1.0K J 1/16W		
R3211			RK73GB1J750J	CHIP R 75 J 1/16W		
R3212			RK73GB1J330J	CHIP R 33 J 1/16W		
R3213			RK73GB1J102J	CHIP R 1.0K J 1/16W		
R3501			RK73FB2A561J	CHIP R 560 J 1/10W		
R3502			RK73FB2A103J	CHIP R 10K J 1/10W		
R3503			RK73FB2A101J	CHIP R 100 J 1/10W		
R3504			RK73FB2A222J	CHIP R 2.2K J 1/10W		
R3505			RK73FB2A330J	CHIP R 33 J 1/10W		

L : Scandinavia K : USA P : Canada R : Mexico C : China I : Malaysia  
Y : PX(Far East,Hawaii) T : England E : Europe G : Germany V : China(Shanghai)  
Y : AAFES(Europe) X : Australia Q : Russia H : Korea M : Other Areas  $\Delta$  indicates safety critical components .

\* New Parts  
Parts without **Parts No.** are not supplied.  
Les articles non mentionnés dans le **Parts No.** ne sont pas fournis.  
Teile ohne **Parts No.** werden nicht geliefert.

10

Ref. No	Add-ress	New Parts	Parts No.	Description	Desti-nation	Re-marks
R3506			RK73FB2A182J	CHIP R 1.8K J 1/10W		
R3507			RK73FB2A330J	CHIP R 33 J 1/10W		
R3508			RK73FB2A222J	CHIP R 2.2K J 1/10W		
R3511			RK73FB2A561J	CHIP R 560 J 1/10W		
R3512			RK73FB2A272J	CHIP R 2.7K J 1/10W		
R3514,15			RK73FB2A223J	CHIP R 22K J 1/10W		
R3516			RK73FB2A222J	CHIP R 2.2K J 1/10W		
R3517			RK73FB2A330J	CHIP R 33 J 1/10W		
R3518			RK73FB2A331J	CHIP R 330 J 1/10W		
R3519			RK73FB2A330J	CHIP R 33 J 1/10W		
R3520			RK73FB2A222J	CHIP R 2.2K J 1/10W		
R3521			RK73FB2A472J	CHIP R 4.7K J 1/10W		
R3527			RK73FB2A000J	CHIP R 0.0 J 1/10W		
R3531-33			RK73FB2A102J	CHIP R 1.0K J 1/10W		
R3534			RK73FB2A471J	CHIP R 470 J 1/10W		
R3535			RK73FB2A103J	CHIP R 10K J 1/10W		
R3543,44			R92-1934-08	CHIP R 71.5 J 1/10W		
R3546			RK73FB2A750J	CHIP R 75 J 1/10W		
R3551			RK73FB2A561J	CHIP R 560 J 1/10W		
R3552			RK73FB2A183J	CHIP R 18K J 1/10W		
R3553			RK73FB2A471J	CHIP R 470 J 1/10W		
R3554			RK73FB2A223J	CHIP R 22K J 1/10W		
R3555			RK73FB2A331J	CHIP R 330 J 1/10W		
R3609			RK73FB2A221J	CHIP R 220 J 1/10W		
R3610,11			RK73FB2A103J	CHIP R 10K J 1/10W		
R3612			RK73FB2A102J	CHIP R 1.0K J 1/10W		
R3811-14			RK73FB2A151J	CHIP R 150 J 1/10W		
R3822			RK73FB2A000J	CHIP R 0.0 J 1/10W		
R3824			RK73FB2A000J	CHIP R 0.0 J 1/10W		
R3826			RK73FB2A000J	CHIP R 0.0 J 1/10W		
R3827,28			RK73FB2A151J	CHIP R 150 J 1/10W		
R3841			RK73FB2A333J	CHIP R 33K J 1/10W		
R3842			RK73FB2A562J	CHIP R 5.6K J 1/10W		
R3843			RK73FB2A333J	CHIP R 33K J 1/10W		
R3844			RK73FB2A562J	CHIP R 5.6K J 1/10W		
R3845			RK73FB2A333J	CHIP R 33K J 1/10W		
R3846			RK73FB2A562J	CHIP R 5.6K J 1/10W		
R3847-50			RK73FB2A472J	CHIP R 4.7K J 1/10W		
R3851			RK73FB2A332J	CHIP R 3.3K J 1/10W		
R3852			RK73FB2A562J	CHIP R 5.6K J 1/10W		
R3853-56			RK73FB2A332J	CHIP R 3.3K J 1/10W		
R3857			RK73FB2A680J	CHIP R 68 J 1/10W		
R3858,59			RK73FB2A472J	CHIP R 4.7K J 1/10W		
R3860			RK73FB2A332J	CHIP R 3.3K J 1/10W		
R3861			RK73FB2A182J	CHIP R 1.8K J 1/10W		
R3862			RK73FB2A562J	CHIP R 5.6K J 1/10W		
R3863,64			RK73FB2A332J	CHIP R 3.3K J 1/10W		
R3865			RK73FB2A562J	CHIP R 5.6K J 1/10W		
R3866			RK73FB2A472J	CHIP R 4.7K J 1/10W		
R3867			RK73FB2A562J	CHIP R 5.6K J 1/10W		
R3868			RK73FB2A332J	CHIP R 3.3K J 1/10W		
R3869			RK73FB2A471J	CHIP R 470 J 1/10W		
R3871			RK73FB2A821J	CHIP R 820 J 1/10W		
R3872			RK73FB2A101J	CHIP R 100 J 1/10W		
R3874			RK73FB2A821J	CHIP R 820 J 1/10W		

L : Scandinavia K : USA P : Canada R : Mexico C : China I : Malaysia  
Y : PX(Far East,Hawaii) T : England E : Europe G : Germany V : China(Shanghai)  
Y : AAFES(Europe) X : Australia Q : Russia H : Korea M : Other Areas  $\Delta$  indicates safety critical components .

\* New Parts  
 Parts without **Parts No.** are not supplied.  
 Les articles non mentionnés dans le **Parts No.** ne sont pas fournis.  
 Teile ohne **Parts No.** werden nicht geliefert.

11

Ref. No	Add-ress	New Parts	Parts No.	Description	Desti-nation	Re-marks
R3875			RK73FB2A101J	CHIP R	100	J 1/10W
R3876-80			RK73FB2A750J	CHIP R	75	J 1/10W
R3882,83			RK73FB2A101J	CHIP R	100	J 1/10W
R3885,86			RK73FB2A101J	CHIP R	100	J 1/10W
R3887			RK73FB2A000J	CHIP R	0.0	J 1/10W
R3888			RK73FB2A750J	CHIP R	75	J 1/10W
R3889			RK73FB2A000J	CHIP R	0.0	J 1/10W
R3890			RK73FB2A750J	CHIP R	75	J 1/10W
R3891			RK73FB2A000J	CHIP R	0.0	J 1/10W
R3892			RK73FB2A750J	CHIP R	75	J 1/10W
R3893,94			RK73FB2A750J	CHIP R	75	J 1/10W
R4231			RK73FB2A222J	CHIP R	2.2K	J 1/10W
R4241			RK73GB1J151J	CHIP R	150	J 1/16W
R4251,52			RK73FB2A472J	CHIP R	4.7K	J 1/10W
R4271			RK73FB2A221J	CHIP R	220	J 1/10W
R4272-74			RK73GB1J221J	CHIP R	220	J 1/16W
R4276			RK73FB2A151J	CHIP R	150	J 1/10W
R4281			RK73GB1J331J	CHIP R	330	J 1/16W
R4301			RK73FB2A101J	CHIP R	100	J 1/10W
R4302			RK73FB2A103J	CHIP R	10K	J 1/10W
R4303			RK73FB2A203J	CHIP R	20K	J 1/10W
R4311			RK73FB2A101J	CHIP R	100	J 1/10W
R4312			RK73FB2A103J	CHIP R	10K	J 1/10W
R4313			RK73FB2A203J	CHIP R	20K	J 1/10W
R4461			RK73FB2A752J	CHIP R	7.5K	J 1/10W
R4462			RK73FB2A103J	CHIP R	10K	J 1/10W
R4463			RK73FB2A752J	CHIP R	7.5K	J 1/10W
R4464			RK73FB2A473J	CHIP R	47K	J 1/10W
R4465			RK73FB2A752J	CHIP R	7.5K	J 1/10W
R4466			RK73FB2A103J	CHIP R	10K	J 1/10W
R4467			RK73FB2A752J	CHIP R	7.5K	J 1/10W
R4468			RK73FB2A473J	CHIP R	47K	J 1/10W
R4501			RK73FB2A821J	CHIP R	820	J 1/10W
R4502			RK73FB2A221J	CHIP R	220	J 1/10W
R4503			RK73FB2A821J	CHIP R	820	J 1/10W
R4508,09			RK73FB2A821J	CHIP R	820	J 1/10W
R4511			RK73FB2A821J	CHIP R	820	J 1/10W
R4512			RK73FB2A221J	CHIP R	220	J 1/10W
R4513			RK73FB2A821J	CHIP R	820	J 1/10W
R4518			RK73FB2A821J	CHIP R	820	J 1/10W
R4519			RK73FB2A821J	CHIP R	820	J 1/10W
R4591			RK73FB2A223J	CHIP R	22K	J 1/10W
R4592			RK73FB2A333J	CHIP R	33K	J 1/10W
R4593			RK73FB2A331J	CHIP R	330	J 1/10W
R4594			RK73FB2A103J	CHIP R	10K	J 1/10W
R4595			RK73EB2B102J	CHIP R	1.0K	J 1/8W
R4596			RK73FB2A223J	CHIP R	22K	J 1/10W
R4597			RK73FB2A221J	CHIP R	220	J 1/10W
R4598			RK73FB2A223J	CHIP R	22K	J 1/10W
R4599			RK73FB2A103J	CHIP R	10K	J 1/10W
R4901			RK73FB2A822J	CHIP R	8.2K	J 1/10W
R4902			RK73FB2A152J	CHIP R	1.5K	J 1/10W
R4903			RK73FB2A333J	CHIP R	33K	J 1/10W
R4911			RK73FB2A822J	CHIP R	8.2K	J 1/10W
R4912			RK73FB2A331J	CHIP R	330	J 1/10W

L : Scandinavia K : USA P : Canada R : Mexico C : China I : Malaysia  
 Y : PX(Far East,Hawaii) T : England E : Europe G : Germany V : China(Shanghai)  
 Y : AAFES(Europe) X : Australia Q : Russia H : Korea M : Other Areas  $\Delta$  indicates safety critical components.

\* New Parts  
 Parts without **Parts No.** are not supplied.  
 Les articles non mentionnés dans le **Parts No.** ne sont pas fournis.  
 Teile ohne **Parts No.** werden nicht geliefert.

12

Ref. No	Add-ress	New Parts	Parts No.	Description	Desti-nation	Re-marks
R4913			RK73FB2A103J	CHIP R	10K	J 1/10W
R5201			R92-1935-08	RD	27	J 1/2W
R5202			RK73GB1J2R2J	CHIP R	2.2	J 1/16W
R5203			RK73GB1J223J	CHIP R	22K	J 1/16W
R5205,06			RK73GB1J103J	CHIP R	10K	J 1/16W
R5208			RK73GB1J823J	CHIP R	82K	J 1/16W
R5209			RK73GB1J123J	CHIP R	12K	J 1/16W
R5210			RK73GB1J272J	CHIP R	2.7K	J 1/16W
R5211			RK73GB1J393J	CHIP R	39K	J 1/16W
R5212			RK73GB1J123J	CHIP R	12K	J 1/16W
R5213			RK73GB1J393J	CHIP R	39K	J 1/16W
R5214			RK73GB1J223J	CHIP R	22K	J 1/16W
R5215			RK73GB1J822J	CHIP R	8.2K	J 1/16W
R5216			RK73GB1J183J	CHIP R	18K	J 1/16W
R5217			RK73GB1J223J	CHIP R	22K	J 1/16W
R5218			RK73GB1J103J	CHIP R	10K	J 1/16W
R5219			RK73GB1J153J	CHIP R	15K	J 1/16W
R5220,21			RK73GB1J474J	CHIP R	470K	J 1/16W
R5222			RK73GB1J332J	CHIP R	3.3K	J 1/16W
R5223			RK73GB1J752J	CHIP R	7.5K	J 1/16W
R5224			RK73GB1J154J	CHIP R	150K	J 1/16W
R5225			RK73GB1J564J	CHIP R	560K	J 1/16W
R5226			RK73GB1J155J	CHIP R	1.5M	J 1/16W
R6005-11			RK73FB2A473J	CHIP R	47K	J 1/10W
R6015			RK73FB2A473J	CHIP R	47K	J 1/10W
R6019			RK73FB2A221J	CHIP R	220	J 1/10W
R6023-25			RK73FB2A221J	CHIP R	220	J 1/10W
R6029-33			RK73FB2A104J	CHIP R	100K	J 1/10W
R6035,36			RK73FB2A221J	CHIP R	220	J 1/10W
R6037-39			RK73FB2A103J	CHIP R	10K	J 1/10W
R6041-43			RK73FB2A103J	CHIP R	10K	J 1/10W
R6044			RK73FB2A821J	CHIP R	820	J 1/10W
R6045			RK73FB2A102J	CHIP R	1.0K	J 1/10W
R6046			RK73FB2A122J	CHIP R	1.2K	J 1/10W
R6049			RK73FB2A821J	CHIP R	820	J 1/10W
R6050			RK73FB2A102J	CHIP R	1.0K	J 1/10W
R6052			RK73FB2A821J	CHIP R	820	J 1/10W
R6053			RK73FB2A102J	CHIP R	1.0K	J 1/10W
R6054-57			RK73FB2A221J	CHIP R	220	J 1/10W
R6061-63			RK73FB2A221J	CHIP R	220	J 1/10W
R6064			RK73FB2A473J	CHIP R	47K	J 1/10W
R6201			RK73GB1J103J	CHIP R	10K	J 1/16W
R6202-04			RK73GB1J473J	CHIP R	47K	J 1/16W
R6205			RK73GB1J222J	CHIP R	2.2K	J 1/16W
R6206-08			RK73GB1J473J	CHIP R	47K	J 1/16W
R6209			RK73GB1J103J	CHIP R	10K	J 1/16W
R6301			RK73GB1J103J	CHIP R	10K	J 1/16W
R6302,03			RK73GB1J472J	CHIP R	4.7K	J 1/16W
R6501,02			RK73GB1J103J	CHIP R	10K	J 1/16W
R6542			RK73GB1J105J	CHIP R	1.0M	J 1/16W
R6544			RK73GB1J101J	CHIP R	100	J 1/16W
R7001,02			RK73GB1J102J	CHIP R	1.0K	J 1/16W
R7003			RK73GB1J473J	CHIP R	47K	J 1/16W
R7006			RK73GB1J473J	CHIP R	47K	J 1/16W
RA2501,02			R90-0997-08	RADDER RESISTOR,EXBV4V103J		

L : Scandinavia K : USA P : Canada R : Mexico C : China I : Malaysia  
 Y : PX(Far East,Hawaii) T : England E : Europe G : Germany V : China(Shanghai)  
 Y : AAFES(Europe) X : Australia Q : Russia H : Korea M : Other Areas  $\Delta$  indicates safety critical components.

PARTS LIST

DVF-3020

\* New Parts

Parts without **Parts No.** are not supplied.Les articles non mentionnés dans le **Parts No.** ne sont pas fournis.Teile ohne **Parts No.** werden nicht geliefert.

13

Ref. No	Add-ress	New Parts	Parts No.	Description	Desti-nation	Re-marks
RA3001			R90-0995-08	RADDER RESISTOR,EXBV8V473J		
RA3002			R90-0996-08	RADDER RESISTOR,EXBV4V473J		
RA6201			R90-0997-08	RADDER RESISTOR,EXBV4V103J		
RA6203-06			R90-0996-08	RADDER RESISTOR,EXBV4V473J		
RA7001,02			R90-0995-08	RADDER RESISTOR,EXBV8V473J		
VR3501			R32-0091-08	TRIMMER POT EVNCYAA03B13		
VR3511			R32-0091-08	TRIMMER POT EVNCYAA03B13		
W801-823			RK73FB2A000J	CHIP R 0.0 J 1/10W		
W825-838			RK73FB2A000J	CHIP R 0.0 J 1/10W		
W841-847			RK73FB2A000J	CHIP R 0.0 J 1/10W		
W850-861			RK73FB2A000J	CHIP R 0.0 J 1/10W		
W863-866			RK73FB2A000J	CHIP R 0.0 J 1/10W		
S6001-03			S70-0080-08	SWITCH EVQ11A07R		
S6005-07			S70-0081-08	SWITCH EVQ11U07M		
S6401			S70-0082-08	SWITCH EVQQS307K		
△ D1001			ENC471D5ATR8	DIODE ENC471D5ATR8		
D1011			S1WBA80	DIODE		
D1021			AP01C	DIODE		
D1022			RD100E	ZENER DIODE		
D1031			AU01Z	DIODE		
D1032			MA7300B	DIODE		
D1041			MA165	DIODE		
D1051			MA700	DIODE		
D1052			MA4200H	DIODE		
D1111			MA7D55	DIODE		
D1121			11ES1	DIODE		
D1131			11EQS10	DIODE		
D1141			11EQS10	DIODE		
D1151,52			11EQS10	DIODE		
D1161			AU01Z	DIODE		
D1162			MA4030M	DIODE		
D1171			AK04	DIODE		
D3001			MA8030-H	DIODE		
D3002			MA111	DIODE		
D3071			MA111	DIODE		
D3851			MA152A	DIODE		
D3852			MA8130	DIODE		
D3861			MA152WK	DIODE		
D3862			MA152A	DIODE		
D3863			MA8120-L	DIODE		
D4591			1SS355	DIODE		
D4592			MA3047M	ZENER DIODE		
D4593			1SS355	DIODE		
D4594			MA152A	DIODE		
D4595			MA152WA	DIODE		
D4596			MA153A	DIODE		
D4597			1SS355	DIODE		
D4901			AK04WS	DIODE		
D6002-04			1SS355	DIODE		
D6013,14			LN28RCPL	DIODE		
D6311			MA728	DIODE		
D6511			MA111	DIODE		
DL6001			VSL0519	DISPLAY TUBE		
△ IC1021			STRM6559LF	IC		

L : Scandinavia K : USA P : Canada R : Mexico C : China I : Malaysia

Y : PX(Far East,Hawaii) T : England E : Europe G : Germany V : China(Shanghai)

Y : AAFES(Europe) X : Australia Q : Russia H : Korea M : Other Areas △ indicates safety critical components .

\* New Parts

Parts without **Parts No.** are not supplied.Les articles non mentionnés dans le **Parts No.** ne sont pas fournis.Teile ohne **Parts No.** werden nicht geliefert.

14

Ref. No	Add-ress	New Parts	Parts No.	Description	Desti-nation	Re-marks
IC1101			UPC1093J	IC(REGULATOR)		
IC1121			PQ3RD13	IC		
IC1151			SI-3090FLF11	IC		
IC2001			MN67705EA	IC		
IC2501			AN8485SB	IC		
IC2511			BA5983FM	IC(ANALOGUE IC)		
IC3001			MN677511DE	IC		
IC3051			MNX7160BT1	IC		
IC3061			HM5241605T12	IC		
IC3071			PQ1R33	IC		
IC3531			AN3581S	IC		
IC3801			AN79L05M	IC		
IC3811			NJM2267M	IC		
IC3812,13			MC14053BF	IC		
IC3821,22			MC14053BF	IC		
IC3831			NJM2267M	IC		
IC3841			BA7660FS	IC		
IC4201			PCM1734UB	IC(DAC)		
IC4241			TC7ST04FU	IC		
IC4251			BU2092F	IC		
IC4266			TC74HCT7007A	IC		
IC4306			NJM4580M	IC		
IC4461			NJM4580M	IC		
IC4781			W02-2736-08	OPTICAL RECEIVING,TOTX178A		
IC4901			PQ09DZ1U	IC		
IC5201			RN5RZ33BA	IC		
IC5202			AN8706FHQ	IC		
IC6001			MN1872423CE	IC		
IC6002			PST7040-MT	IC		
IC6003			PNA4611M02VT	IR RECEIVER UNIT		
IC6004,05			AHCT1G08DBV	IC		
IC6201			MN102L25DFA	IC		
IC6301			PST596JNR	IC		
IC6302			TFVT400FTC23	IC		
IC6303			AT25020NS127	IC		
IC6501			BU2185F	IC		
IC6511			PQ1R33	IC		
IC6521			TC7WH157FU	IC		
IC6522			TC7WH74FU	IC		
IC6542			AHC1GU04HDCK	IC		
IC6562			AHC1GU04HDCK	IC		
IC6563			TC7WH74FU	IC		
IC6582			AHC1GU04HDCK	IC		
IC6583			TC7WH74FU	IC		
IC7001			MN103007BGA	IC		
IC7301			TC7SH08FU	IC(2ch AND GATE)		
IC7302			TC7SH32FU	IC		
△ Q1041			PS2561L1	PHOTO COUPLER PS2561L1		
Q1111			2SJ525	TRANSISTOR		
Q3201			2SB1218A	TRANSISTOR		
Q3211			2SB1218A	TRANSISTOR		
Q3501			2SB709A	TRANSISTOR		
Q3502			2SD601A	TRANSISTOR		
Q3503			2SB709A	TRANSISTOR		
Q3511			2SB709A	TRANSISTOR		

L : Scandinavia K : USA P : Canada R : Mexico C : China I : Malaysia

Y : PX(Far East,Hawaii) T : England E : Europe G : Germany V : China(Shanghai)

Y : AAFES(Europe) X : Australia Q : Russia H : Korea M : Other Areas △ indicates safety critical components .

\* New Parts

Parts without **Parts No.** are not supplied.  
Les articles non mentionnés dans le **Parts No.** ne sont pas fournis.  
Teile ohne **Parts No.** werden nicht geliefert.

15

Ref. No	Add-ress	New Parts	Parts No.	Description	Desti-nation	Re-marks
Q3512			2SD601A	TRANSISTOR		
Q3513			2SB709A	TRANSISTOR		
Q3551			2SD601A	TRANSISTOR		
Q3603			2SA1022-B	TRANSISTOR		
Q3851			2SB710-R	TRANSISTOR		
Q3852			XN4502	TRANSISTOR		
Q3853			XN4401	TRANSISTOR		
Q3861			2SD602A-R	TRANSISTOR		
Q3862			XN4402	TRANSISTOR		
Q3863			2SB710-R	TRANSISTOR		
Q3864			2SD602A-R	TRANSISTOR		
Q4501,02			2SD1328	TRANSISTOR		
Q4511,12			2SD1328	TRANSISTOR		
Q4901			2SB709A	TRANSISTOR		
Q4911			2SB1434	TRANSISTOR		
Q4912			2SB1320A-R	TRANSISTOR		
Q4913			2SD601A	TRANSISTOR		
Q5201			2SB1115-T	TRANSISTOR		
Q6009			2SD1996-S	TRANSISTOR		
QR1111			UN4213	TRANSISTOR-RESISTOR		
QR2001			UN5213	TRANSISTOR-RESISTOR		
QR2501,02			XP1213	TRANSISTOR-RESISTOR		
QR2503			UN5213	TRANSISTOR-RESISTOR		
QR3521			UN2212	TRANSISTOR-RESISTOR		
QR3841			XN1213	TRANSISTOR-RESISTOR		
QR3842			UN2213	TRANSISTOR-RESISTOR		
QR3843			XN1213	TRANSISTOR-RESISTOR		
QR3851			UN2217	TRANSISTOR-RESISTOR		
QR3852			XN1213	TRANSISTOR-RESISTOR		
QR3853			XN1112	TRANSISTOR-RESISTOR		
QR3861			UN2217	TRANSISTOR-RESISTOR		
QR3862,63			XN1213	TRANSISTOR-RESISTOR		
QR4591			UN2211	TRANSISTOR-RESISTOR		
QR4592			UN2115	TRANSISTOR-RESISTOR		
QR4593			UN2211	TRANSISTOR-RESISTOR		
QR4594,95			UN2111	TRANSISTOR-RESISTOR		
QR5201,02			UN5212	TRANSISTOR-RESISTOR		
QR5203			UN5112	TRANSISTOR-RESISTOR		
QR6002,03			DTA123JK	TRANSISTOR-RESISTOR		
QR6004			UN2212	TRANSISTOR-RESISTOR		
QR6008			UN2111	TRANSISTOR-RESISTOR		
QR6311			UN5212	TRANSISTOR-RESISTOR		
W077			AK04WS	DIODE	AK04WS	
<b>MECHANISM</b>						
41	1B		A11-1171-08	INTERMEDIATE CHASSIS,VMD3270		
42	1A		J99-0819-08	TRAY VMD3265		
43	2A		D13-1978-08	PULLEY GEAR VDG1308		
44	2A		D13-1979-08	DECELERATION GEAR,VDG1309		
45	2A		D13-1980-08	DRIVE GEAR VDG1310		
46	2B		A11-1172-08	VERTCAL CAM VDK0156		
47	2A		D16-0745-08	BELT VDV0373		
49	3B		A10-3504-08	LOADING BASE VMD3266		
50	1A		A11-1173-08	CLAMPER BASE VMD3263		
51	1A		T99-0637-08	MAGNET JSM0048		

L : Scandinavia K : USA P : Canada R : Mexico C : China I : Malaysia  
Y : PX(Far East,Hawaii) T : England E : Europe G : Germany V : China(Shanghai)  
Y : AAFES(Europe) X : Australia Q : Russia H : Korea M : Other Areas  $\Delta$  indicates safety critical components .

\* New Parts

Parts without **Parts No.** are not supplied.  
Les articles non mentionnés dans le **Parts No.** ne sont pas fournis.  
Teile ohne **Parts No.** werden nicht geliefert.

16

Ref. No	Add-ress	New Parts	Parts No.	Description	Desti-nation	Re-marks
52	1A		T50-1086-08	CLAMPER BACK YOKE,VMA9535		
53	1A		J11-0857-08	CLAMPER VMD3264		
54	1A		N19-1507-08	CLAMPER WEIGHT VMA0B93		
55	3A		T42-0964-08	LOADING MOTOR UNIT,VEM0664		
56	3B		S64-0047-08	DOUBLE SWITCH VSH0170		
61	2C		E35-2510-08	SPINDLE FFC(17P), VWJ1277		
62	1C		T42-0965-08	SPINDLE MOTOR UNIT,VWV0665		
63	2D		T42-0966-08	STEPPING MOTOR UNIT,VEM0666		
64	2D		G01-4184-08	TILT SPRING VMB3278		
65	3D		G02-1696-08	SUB-SHAFT TILT SPRING,VMC1487		
66	2D		G02-1697-08	SPRING HOLDER 1,VMC1488		
67	2D		G02-1698-08	SPRING HOLDER 2,VMC1489		
68	3D		J19-6059-08	FPC HOLDER VMD3261		
69	2C,3C		J02-1469-08	FLOATING RUBBER,VMG1166		
70	3C		A11-1174-08	TRAVERSE CHASSIS,VMK0474		
71	1C		J90-0872-08	GUIDE SHAFT 1 VMS6471		
72	1D		J90-0873-08	GUIDE SHAFT 2 VMS6472		
73	1D		J91-0504-08	OPTCAL PICK-UP VED0402-1		
74	1D		G02-1699-08	SUB-SHAFT PRELOAD SP,VMC1491		
75	1D		G02-1700-08	NUT VMC1490		
76	1D		J21-6791-08	NUT VMD3260		
B41	1B		N09-5159-08	SCREW VHD1223		
B42	2A		N09-3456-08	SCREW XQNQC17+3		
B43	3A		N09-5158-08	SCREW XTV3+10G		
B44	2A		N09-5160-08	SCREW XTV2+12T		
B45	1A		N09-5158-08	SCREW XTV3+10G		
B46	1A		N09-5161-08	SCREW XTS3+6J		
B61	1A,2D		N09-5162-08	SCREW VHD1224		
B62	3C	*	N09-5193-08	SCREW VHD1225		
B63	1D		N09-3462-08	SCREW VHD1057		
B64	1D		N09-3456-08	SCREW XQNQC17+3		
B65	3D		N09-5164-08	SCREW XXE26C6FN		

L : Scandinavia K : USA P : Canada R : Mexico C : China I : Malaysia  
Y : PX(Far East,Hawaii) T : England E : Europe G : Germany V : China(Shanghai)  
Y : AAFES(Europe) X : Australia Q : Russia H : Korea M : Other Areas  $\Delta$  indicates safety critical components .

PARTS LIST

DVF-3020

# DVF-3020

## SPECIFICATIONS

<b>Power requirements:</b>	AC 110–240 V, 50/60 Hz
<b>Power consumption:</b>	17 W

**Signal system:** PAL 625/50, PAL 525/60, NTSC  
**Weight:** 3.3 kg  
**Dimensions:** 440 (W)×268 (D)×99 (H) mm (excluding protrusions)

**Operating temperature range:** +5 to +35°C  
**Operating humidity range:** 5 to 90% RH (no condensation)

### Discs played:

#### (1) DVD-VIDEO disc

12 cm single-sided, single-layer  
12 cm single-sided, dual-layer  
12 cm double-sided, single-layer  
8 cm single-sided, single-layer  
8 cm single-sided, dual-layer  
8 cm double-sided, single-layer

#### (2) Compact disc (CD-DA, VIDEO CD)

12 cm disc  
8 cm disc

### S video output:

Y output level: 1 Vp-p (75Ω)  
C output level: 0.300 Vp-p (75Ω) (PAL)  
Output connector: S terminal (1 system)/AV1

### Video output:

Output level: 1 Vp-p (75Ω)  
Output connector: Pin jack (1 system)/AV1/AV2

### Audio output:

Output level: 2 Vrms (1 kHz, 0 dB)  
Output connector: Pin jack (1 system)/AV1/AV2

### Audio signal output characteristics:

- Frequency response:
  - DVD (linear audio): 2 Hz–22 kHz (48 kHz sampling)
  - 2 Hz–44 kHz (96 kHz sampling)
  - 2 Hz–20 kHz (EIAJ)
- S/N ratio:
  - CD audio: 115 dB (EIAJ)
- Dynamic range:
  - DVD (linear audio): 106 dB
  - CD audio: 100 dB (EIAJ)
- Total harmonic distortion:
  - CD audio: 0.002% (EIAJ)

### Digital audio output:

Optical digital output: Optical connector

**Pickup:** Wave length: 665 nm  
Laser power: CLASS 2

Specifications are subject to change without notice.  
Weight and dimensions are approximate.

<b>Alimentación:</b>	CA 110–240 V, 50/60 Hz
<b>Consumo:</b>	17 W

**Sistema de señal:** PAL 625/50, PAL 525/60, NTSC

**Peso:** 3,3 kg  
**Dimensiones:** 440 (An)×268 (Prf)×99 (Al) mm (excluyendo partes salientes)

**Gama de temperaturas de funcionamiento:** +5 a +35°C

**Gama de humedad de funcionamiento:** 5 a 90% RH (sin condensación)

### Discos que se pueden reproducir:

#### (1) Videodisco DVD

12 cm, una cara, una capa  
12 cm, una cara, dos capas  
12 cm, dos caras, una capa  
8 cm, una cara, una capa  
8 cm, una cara, dos capas  
8 cm, dos caras, una capa

#### (2) Disco compacto (CD-DA, disco compacto de vídeo)

Disco de 12 cm  
Disco de 8 cm

### Salida de vídeo S:

Nivel de salida Y: 1 Vp-p (75Ω)  
Nivel de salida C: 0,300 Vp-p (75Ω) (PAL)  
Terminal de salida: Terminal S (1 sistema)/AV1

### Salida de vídeo:

Nivel de salida: 1 Vp-p (75Ω)  
Terminal de salida: Toma de contactos (1 sistema)/AV1/AV2

### Salida de audio:

Nivel de salida: 2 Vrms (1 kHz, 0 dB)  
Terminal de salida: Toma de contactos (1 sistema)/AV1/AV2

### Características de la salida de señal de audio:

- Respuesta de frecuencia:
  - Audio lineal de DVD: 2 Hz a 22 kHz (Muestreo 48 kHz)
  - 2 Hz a 44 kHz (Muestreo 96 kHz)
  - CD de audio: 2 Hz a 20 kHz (EIAJ)
- Relación señal a ruido:
  - CD de audio: 115 dB (EIAJ)
- Gama dinámica:
  - Audio lineal de DVD: 106 dB
  - CD de audio: 100 dB (EIAJ)
- Distorsión armónica total:
  - CD de audio: 0,002% (EIAJ)

### Salida de audio digital:

Salida digital óptica: Conector óptico

**Fonocaptor:** Longitud de onda: 665 nm  
Potencia láserica: CLASS 2

Las especificaciones están sujetas a cambios sin previo aviso.  
Los pesos y las dimensiones son aproximados.

### Note:

Component and circuit are subject to modification to insure best operation under differing local conditions. This manual is based on Europe (E) standard, and provides information on regional circuit modification through use of alternate schematic diagrams, and information on regional component variations through use of parts list.

## KENWOOD CORPORATION

14-6, Dogenzaka 1-chome, Shibuya-ku, Tokyo, 150-8501 Japan

### KENWOOD SERVICE CORPORATION

P.O. BOX 22745, 2201 East Dominguez St., Long Beach, CA 90801-5745, U.S.A.

### KENWOOD ELECTRONICS CANADA INC.

6070 Kestrel Road, Mississauga, Ontario, Canada L5T 1S8

### KENWOOD ELECTRONICS LATIN AMERICA S.A.

P.O. BOX 55-2791, Piso 6 plaza Chase, Cl. 47 y Aquilino de la Guardia Panama, Republic de Panama

### KENWOOD ELECTRONICS BRASIL LTDA.

Av. Moema, 170-17, Andar-Cobertura "B", Ed. Maximum Service Center, 04077-020 Moema, São Paulo-SP-Brasil

### KENWOOD ELECTRONICS U.K. LIMITED

KENWOOD House, Dwight Road, Watford, Herts., WD1 8EB., United Kingdom

### KENWOOD ELECTRONICS BELGUM N.V.

Meachelsesteenweg 418, B-1930 Zaventem, Belgium

### KENWOOD ELECTRONICS DEUTSCHLAND GMBH

Rembrücker Str. 15, 63150 Heusenstamm, Germany

### KENWOOD ELECTRONICS FRANCE S.A.

13 Boulevard Ney, 75018 Paris, France

### KENWOOD ELECTRONICS ITALIA S.p.A.

Via G. Sirtori, 7/9 20129, Milano, Italy

### KENWOOD IBÉRICA S.A.

Bolivia, 239-08020 Barcelona, Spain

### KENWOOD ELECTRONICS AUSTRALIA PTY. LTD.

(A.C.N. 001 499 074)  
16 Giffnock Avenue, North Ryde, N.S.W. 2113, Australia

### KENWOOD ELECTRONICS (HONG KONG) LTD.

Unit 3712-3724, Level 37, Tower 1, Metroplaza, 223 Hing Fong Road, Kwai Fong N.T., Hong Kong

### KENWOOD ELECTRONICS GULF FZE

P.O.Box 61318, Jebel Ali, Dubai, U.A.E.

### KENWOOD ELECTRONICS SINGAPORE PTE LTD.

No. 1 Genting Lane #02-02, KENWOOD Building, Singapore, 349544

### KENWOOD ELECTRONICS (MALAYSIA) SDN BHD.

#4.01 Level 4, Wisma Academy Lot 4A, Jalan 19/1 46300 Petaling Jaya Selangor Darul Ehsan Malaysia

### KENWOOD ELECTRONICS (THAILAND) CO., LTD.

2019 New Pechburi Road, Bangkok, Huaykwang, Bangkok, 10320 Thailand